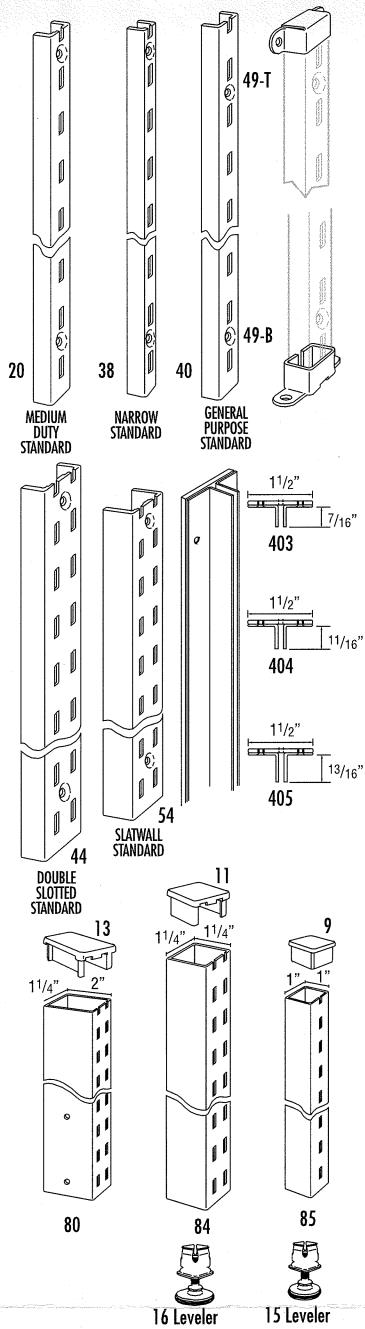


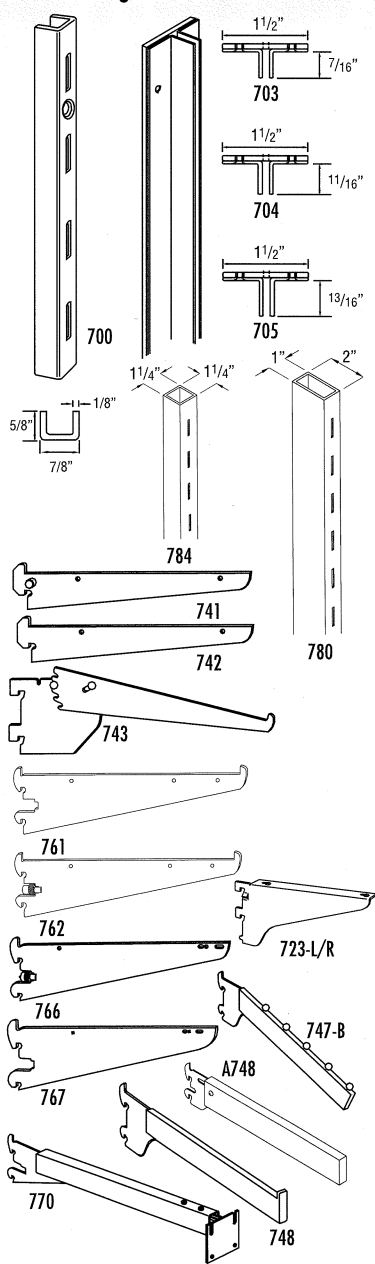
Universal Line

Slotting is 1/2" at 1" on center



700 Line (Heavy Duty)

Slotting is 1" at 2" on center



STOCK HARDWARE

Our quality, American-made stock hardware is available in a wide variety of sizes and finishes.

Here's how to order:

1. Pick the part you need. If you don't see the part you need, call us for a custom order.
2. Decide what size or length you require.
3. Choose a plated or powder coated finish.
4. Contact us to place your order...

1-800-927-3383

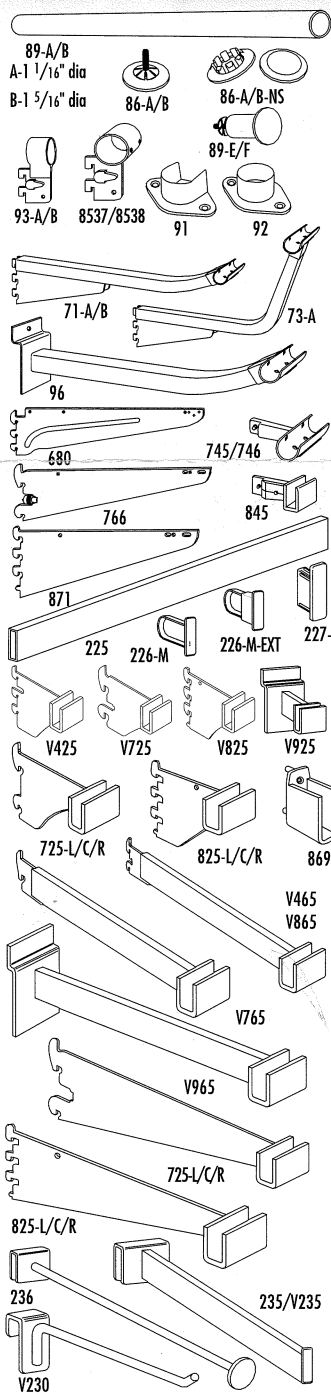
(562) 949-2535

FAX: (562) 949-3862

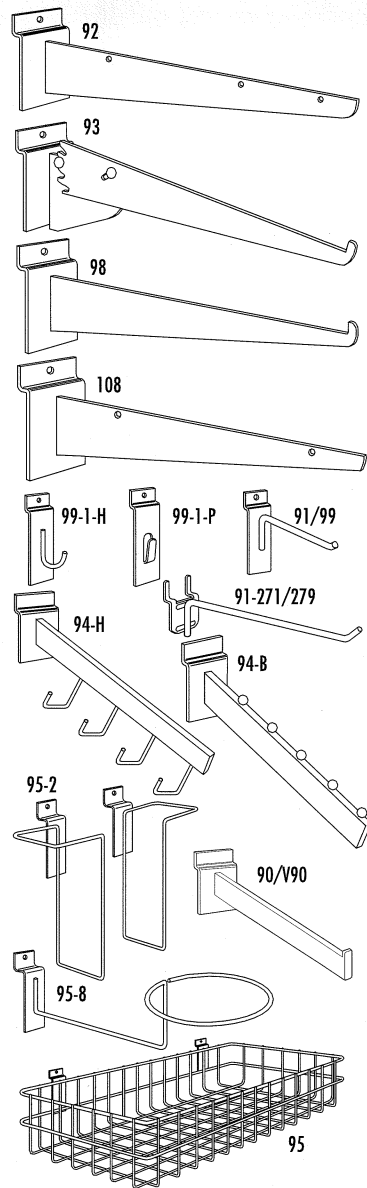
www.reeveco.com

E-mail: info@reeveco.com

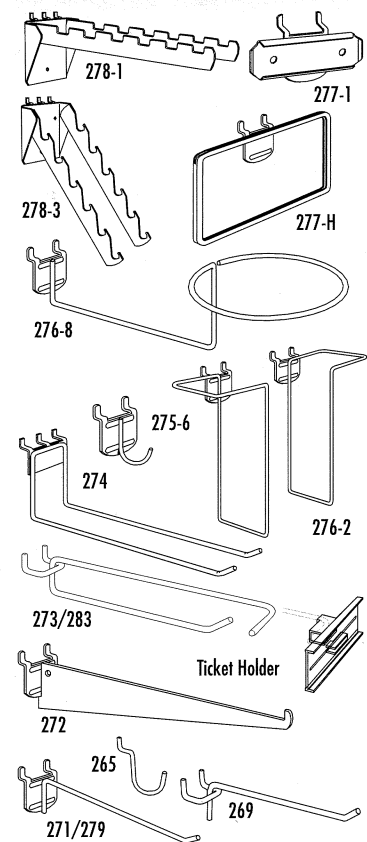
Hangrod & Accessories



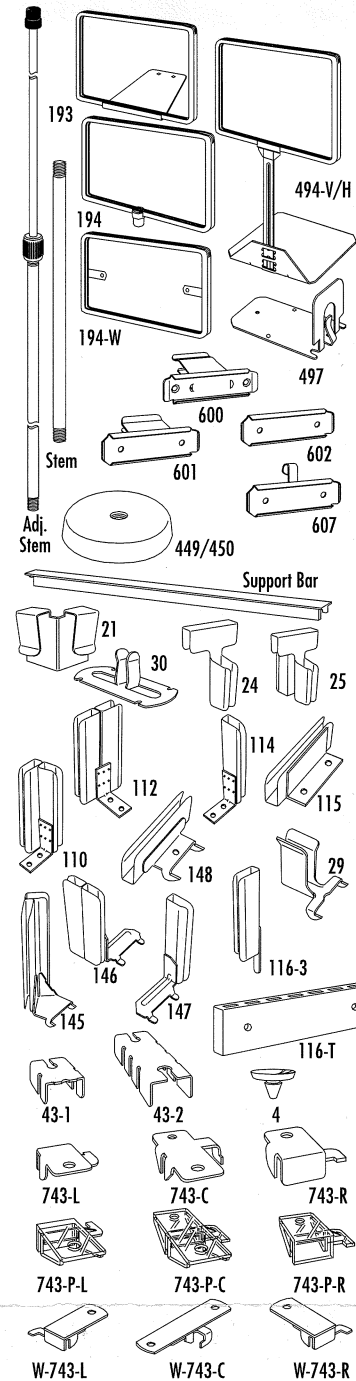
Slatwall Hardware



Pegboard Hardware

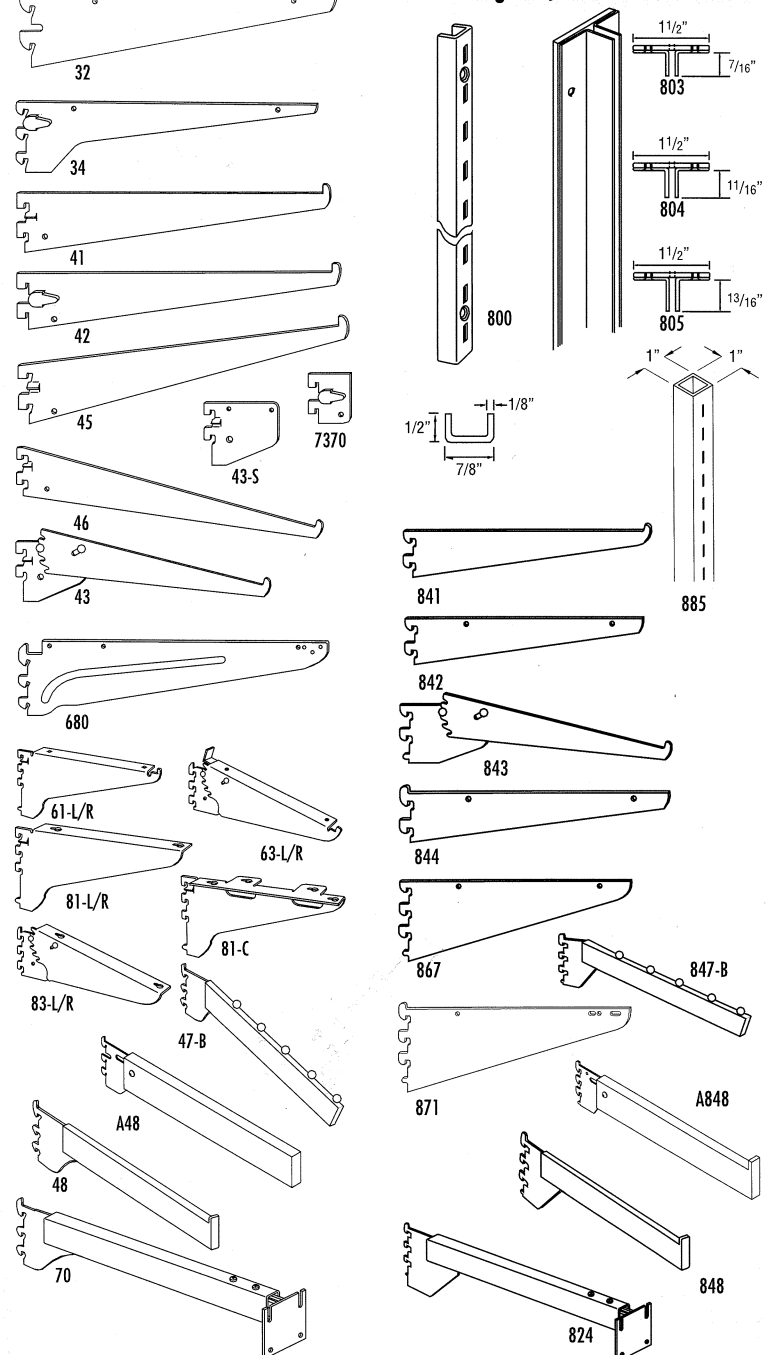


Sign, Ticket, Binning & Glass Accessories

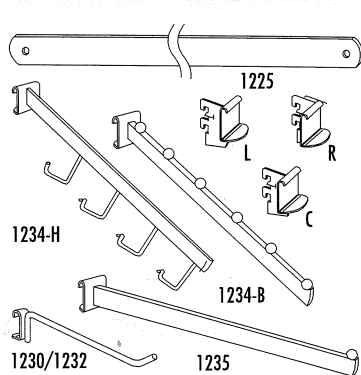


800 Line (Heavy Duty)

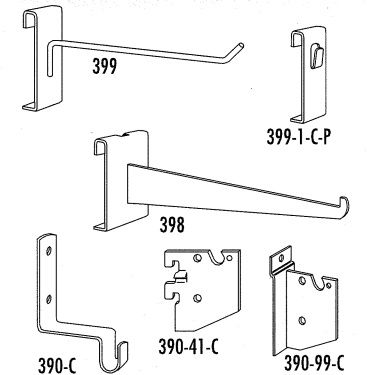
Slotting is 1/2" at 1" on center



Merchandise Bar & Accessories



Grid Hardware



Shelving Systems & Wire Products

