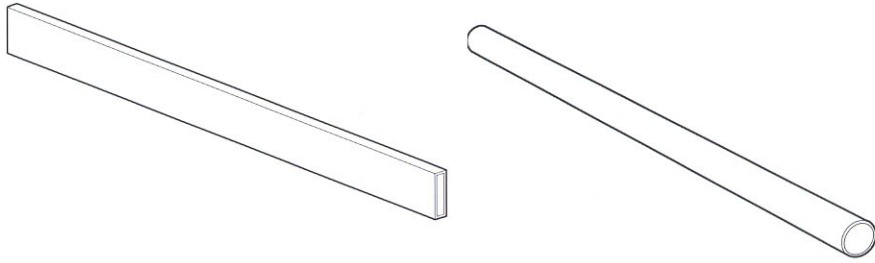


Section 5

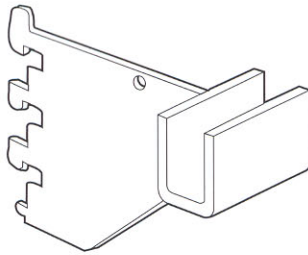
Hangrod & Accessories



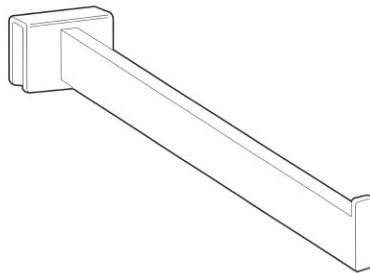
HANGROD



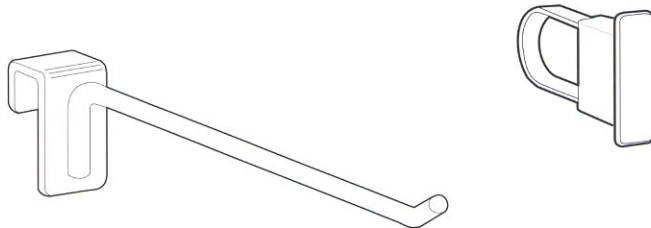
BRACKETS



FACEOUTS



ACCESSORIES



No. 225 Hangrod

Application:

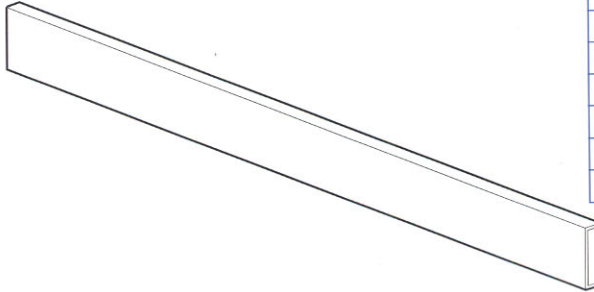
Designed for use with any 1/2" x 1 1/2" hangrod bracket and faceout.

Features:

1/2" x 1 1/2" tube, 16-gauge wall thickness.

Stock Finish:

Polished Chrome.



Part Number	Length	Packed/Ctn.	Wt./Ctn.
225-24	24"	10	16 Lbs.
225-30	30"	10	20 Lbs.
225-36	36"	10	24 Lbs.
225-48	48"	10	30 Lbs.
225-60	60"	10	36 Lbs.
225-72	72"	10	45 Lbs.
225-96	96"	10	59 Lbs.
225-120	120"	10	75 Lbs.
225-144	144"	10	115 Lbs.

No. 89-A Hangrod (1 1/8" Diameter)

Application:

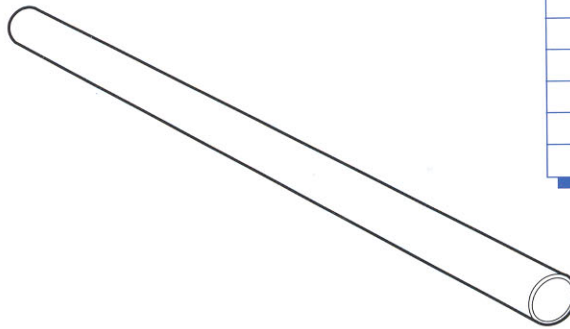
Appropriate for all general garment hanging.

Features:

1 1/8" diameter, 13-gauge wall thickness.

Stock Finish:

Polished Chrome.



Part Number	Length	Packed/Ctn.	Wt./Ctn.
89-A-3	3'	12	3 1/2 Lbs.
89-A-4	4'	12	4 Lbs.
89-A-5	5'	12	5 Lbs.
89-A-6	6'	6	6 Lbs.
89-A-8	8'	6	8 Lbs.
89-A-10	10'	4	10 Lbs.
89-A-12	12'	4	12 Lbs.

No. 89-B Hangrod (1 5/16" Diameter)

Application:

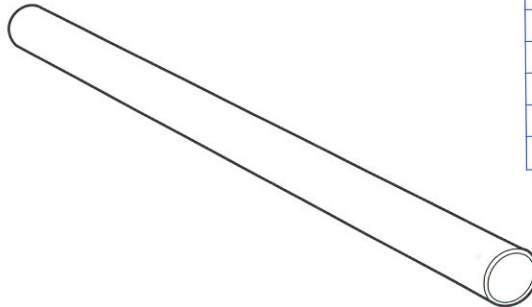
Appropriate for all general garment hanging.

Features:

1 5/16" diameter, 13-gauge wall thickness.

Stock Finish:

Polished Chrome.

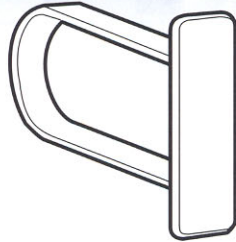


Part Number	Length	Packed/Ctn.	Wt./Ctn.
89-B-3	3'	9	4 1/4 Lbs.
89-B-4	4'	9	5 1/2 Lbs.
89-B-5	5'	9	6 1/4 Lbs.
89-B-6	6'	4	7 1/2 Lbs.
89-B-8	8'	4	10 Lbs.
89-B-10	10'	4	12 1/4 Lbs.
89-B-12	12'	4	15 Lbs.

All items can be made-to-order in a wide variety of plated or powder coated finishes and/or custom lengths.

No. 226-M End Cap (Steel)

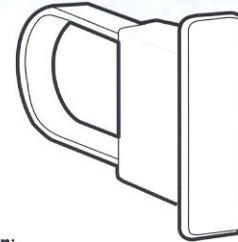
Part Number	Fits Hangrod	Packed/Ctn.	Wt./Ctn.
226-M	225	100	10 Lbs.



Application:
Fits No. 225 Hangrods.
Stock Finish:
Chrome.

No. 226-M-EXT End Cap (Extended)

Part Number	Fits Hangrod	Packed/Ctn.	Wt./Ctn.
226-M-EXT	225	100	18 Lbs.

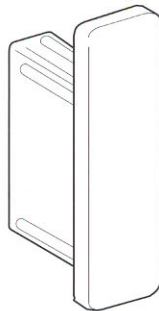


Application:
Extension tube extends end cap from center of saddle past end of saddle.
Stock Finish:
Chrome.

No. 227-P End Cap (Plastic)

Part Number	Fits Hangrod	Packed/Ctn.	Wt./Ctn.
227-P	225	100	1 ½ Lbs.

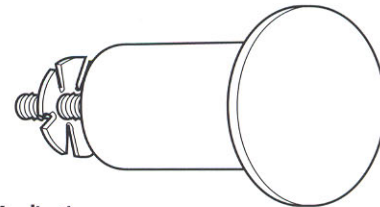
*Flush end cap available.



Application:
Fits No. 225 Hangrods.
Features:
Secure fit, finished to match No. 225 Hangrod.

No. 89-E/89-F Extended End Cap

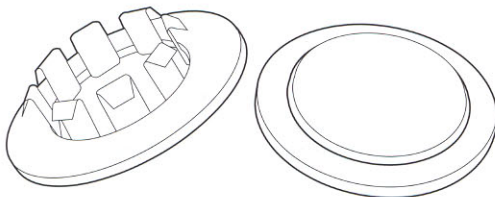
Part Number	Fits Hangrod	Packed/Ctn.	Wt./Ctn.
89-E	89-A	24	5 lbs.
89-F	89-B	24	5 lbs.



Application:
Fits hangrod when cut to centerline of slots on standards.
Features:
The threaded gripping device makes this our most secure cap.
Stock Finish:
Chrome.

No. 86-NS End Cap

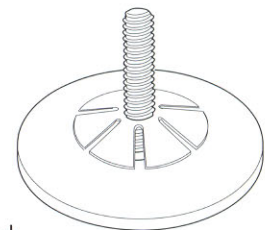
Part Number	Fits Hangrod	Packed/Ctn.	Wt./Ctn.
86-A-NS	89-A	100	10 ½ Lbs.
86-B-NS	89-B	100	10 ½ Lbs.



Application:
Designed to fit No. 89-A and B Hangrods.
Features:
Snap in cap for less demanding loads.
Stock Finish:
Chrome.

No. 86-A/B End Cap

Part Number	Fits Hangrod	Packed/Ctn.	Wt./Ctn.
86-A	89-A	100	10 ½ Lbs.
86-B	89-B	100	10 ½ Lbs.

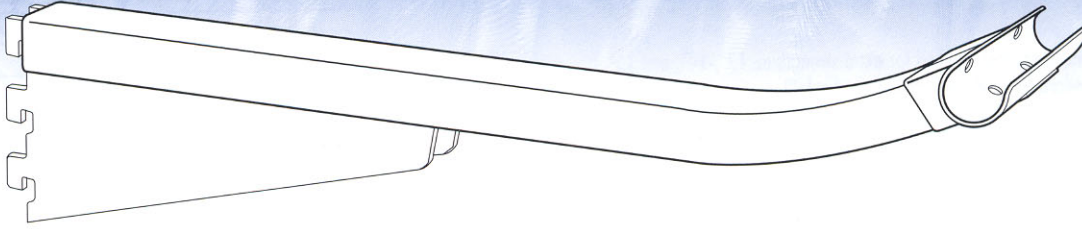


Application:
Fit No. 89-A or 89-B Hangrods.
Features:
The threaded gripping device makes this our most secure cap.
Stock Finish:
Chrome.

Some items can be made-to-order in a wide variety of plated or powder coated finishes and/or custom lengths.

Hangrod Brackets

No. 71 Hangrod Bracket (Fits Universal Series)



Application:

Designed for use on double slotted Universal Series standard.

Features:

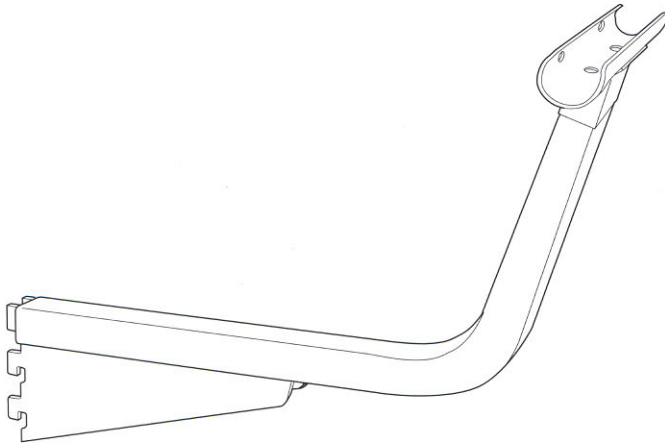
Double bracket and tube design adds strength.

Stock Finish:

Chrome and Brass.

Part Number	Size	Length	Pack/Ctn.	Wt./Ctn.
71-A-12	For 1 1/16" Rod	12"	6	8 1/2 Lbs.
71-A-14	For 1 1/16" Rod	14"	6	9 1/2 Lbs.
71-B-12	For 1 3/16" Rod	12"	6	8 3/4 Lbs.
71-B-14	For 1 3/16" Rod	14"	6	9 3/4 Lbs.

No. 73 Hangrod Bracket (Fits Universal Series)



Part Number	Size	Length	Pack/Ctn.	Wt./Ctn.
73-A	For 1 1/16" Rod	12"	6	11 1/2 Lbs.
73-B	For 1 3/16" Rod	12"	6	11 1/2 Lbs.

Application:

Designed to raise product above top of standard for increased capacity. Use on double slotted Universal Series standard.

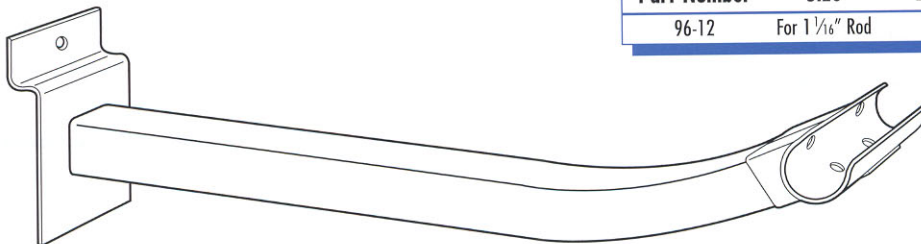
Features:

Elevated 12" above bracket.

Stock Finish:

Chrome.

No. 96 Hangrod Bracket (For Slatwall)



Part Number	Size	Length	Pack/Ctn.	Wt./Ctn.
96-12	For 1 1/16" Rod	12"	12	13 1/2 Lbs.

Application:

Designed for use with slatwall.

Features:

Tube design adds strength.

Stock Finish:

Chrome and Brass.

All items can be made-to-order in a wide variety of plated or powder coated finishes and/or custom lengths.

No. 680 Hangrod Bracket (Universal Series)

Application:

For use with 745, 746, and 845 snap-on hangrod adapters, glass, or wood shelves.

Features:

.085" thick Tempered Steel. Ribbed for extra strength on 12", 14", and 16".

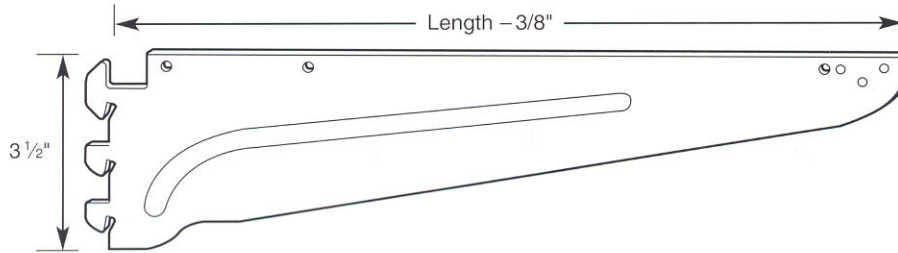
Uphook at standard for additional stability and safety.

Stock Finish:

Brillatone (Satin Zinc).

Part Number	Length	Packed/Ctn.	Wt./Ctn.
680-10	10"	12	8 ¾ Lbs.
680-12	12"	12	10 ¼ Lbs.
680-14	14"	12	11 ¾ Lbs.
680-16	16"	12	13 ½ Lbs.

*Can be made to order with Plastic Camlock to reduce sway.



No. 766 Shelf/Hangrod Bracket (700 Series)

Application:

Use for heaviest loads. Use with surface-mounted wall standards on perimeters, loose fixtures, shelving, and hangrod. Use with 745, 746, and 845 hangrod adapters.

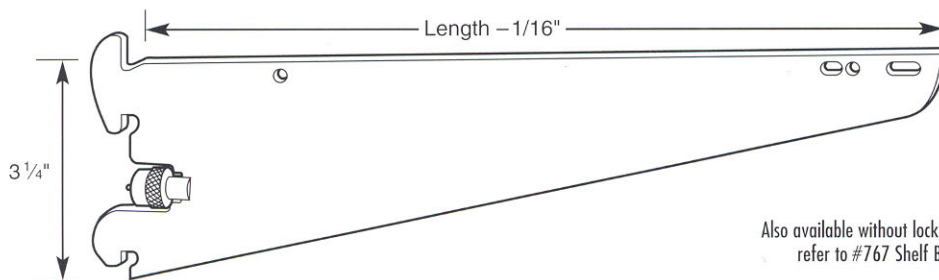
Features:

½" thick tempered steel. Locknut thumb screw reduces sway. Uphook for additional stability and safety.

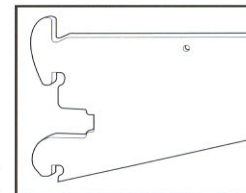
Stock Finish:

Brillatone (Satin Zinc).

Part Number	Length	Packed/Ctn.	Wt./Ctn.
766-12	12"	12	12 Lbs.
766-14	14"	12	14 ½ Lbs.
766-16	16"	12	17 ¼ Lbs.



Also available without lock nut—refer to #767 Shelf Bracket.



No. 871 Hangrod Bracket (800 Series)

Application:

Perimeters, loose fixtures, and hangrod. Use with 745, 746, and 845 hangrod adapters.

Features:

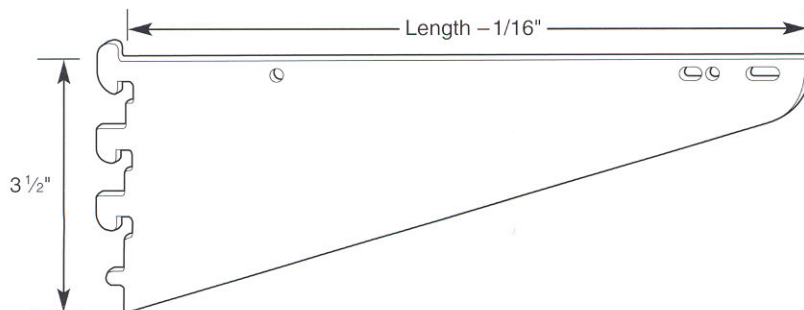
½" thick tempered steel. Uphook for added stability and safety.

Stock Finish:

Brillatone (Satin Zinc) and Polished Chrome.

Part Number	Length	Packed/Ctn.	Wt./Ctn.
871-12	12"	12	14 ½ Lbs.
871-14	14"	12	14 ½ Lbs.
871-16	16"	12	17 ¼ Lbs.

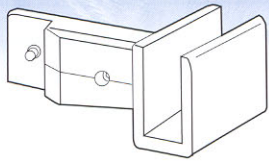
*Can be made to order with locknut thumb screw to reduce sway.



All items can be made-to-order in a wide variety of plated or powder coated finishes and/or custom lengths.

Hangrod Adapters

No. 845 Hangrod Adapter



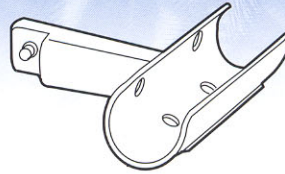
Part Number	Pack	Wt./Ctn.
845	24	8 ¾ Lbs.

Application:
Designed for use with hangrod brackets on page 5.4 and hangrod No. 225.

Features:
One piece casting gives improved appearance.

Stock Finish:
Polished Chrome.

No. 745/746 Hangrod Adapter



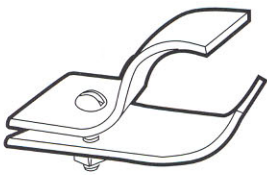
Part Number	Pack	Wt./Ctn.
745	24	6 ¼
746	24	6 ½

Application:
Designed for use with hangrod brackets on page 5.4 and hangrod No. 89-A or with hangrod No. 89-B.

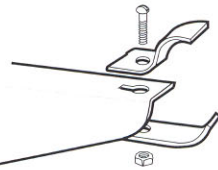
Features:
Spring steel snap fit to hold hangrod firmly.
Also available in left and right hand.
Part no. 747/748 available without spring clip.

Stock Finish:
Polished Chrome.

No. 87 Hangrod Adapter



Part Number	Pack	Wt./Ctn.
87	100	12 ½ Lbs.

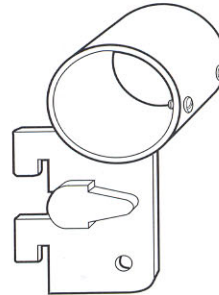


Application:
Designed for less demanding weight loads.

Features:
Clamps to No. 81 or 723 Bracket. Transforms those brackets from shelf to hangrod brackets.

Stock Finish:
Brillatone (Zinc).

No. 8537 and No. 8538 Hangrod Bracket



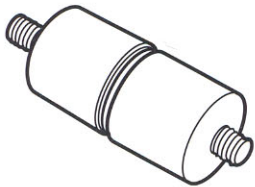
Part Number	Fits Hangrod	Pack	Wt./Ctn.
8537	89-A	24	4 ½ Lbs.
8538	89-B	24	5 ½ Lbs.

Application:
Use for side-mount on outrigger standards.

Features:
Set-screws to lock one or two pieces of hangrod.

Stock Finish:
Chrome.

No. 89 Hangrod Splicer

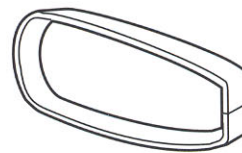


Part Number	Fits Hangrod	Pack	Wt./Ctn.
89-C	89-A Hangrod	24	2 ¾ Lbs.
89-D	89-B Hangrod	24	2 ¾ Lbs.

Application:
Designed to fit two No. 89 Hangrods together.

Features:
The slip-fit and tighten feature of this splicer makes it the best in the industry.

No. 226-SPL Hangrod Splicer



Part Number	Pack	Wt./Ctn.
226-SPL	100	5 ¼ Lbs.

Application:
Designed to fit two No. 225 Hangrods together.

Features:
Spring clip for snug fit.

Stock Finish:
Raw Steel.

All items can be made-to-order in a wide variety of plated or powder coated finishes and/or custom lengths.

No. V425-2 Hangrod Bracket

Application:

Fits Universal Line.

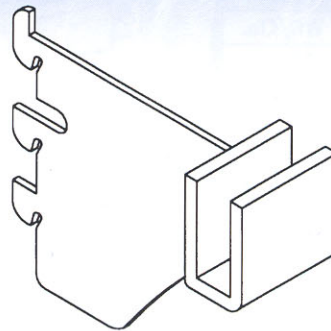
Designed for use with No. 225 hangrod and faceouts.

Features:

3/16" thick saddle. Uphook for added strength and stability.

Stock Finish:

Value Line Chrome.



Part Number	Length	Packed/Ctn.	Wt./Ctn.
V425-2	2"	12	7 Lbs.

*Can add Plastic Camlock to reduce sway.

No. V725-2 Hangrod Bracket

Application:

Fits 700 Line.

Designed for use with No. 225 hangrod and faceouts.

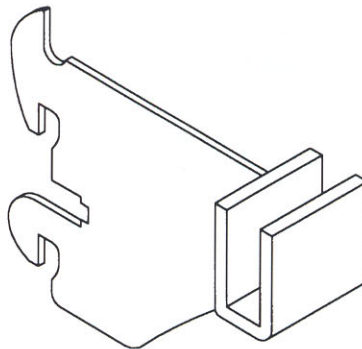
Features:

3/16" thick saddle.

Uphook for added strength and stability.

Stock Finish:

Value Line Chrome.



Part Number	Length	Packed/Ctn.	Wt./Ctn.
V725-2	2"	12	7 Lbs.

*Can add locknut thumb screw to reduce sway.

No. V825-2 Hangrod Bracket

Application:

Fits 800 Line.

Designed for use with No. 225 hangrod and faceouts.

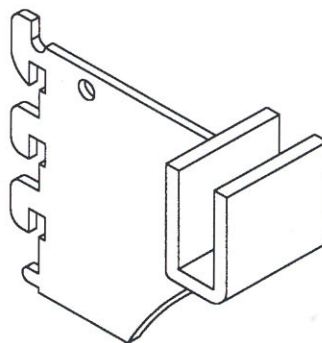
Features:

3/16" thick saddle.

Uphook for added strength and stability.

Stock Finish:

Value Line Chrome.



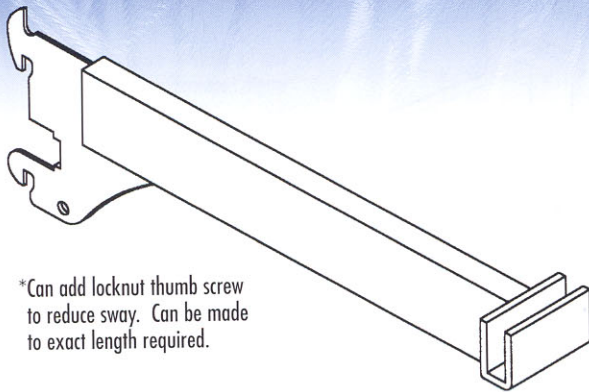
Part Number	Length	Packed/Ctn.	Wt./Ctn.
V825-2	2"	12	7 Lbs.

*Can be made with locknut thumb screw to reduce sway.

All items can be made-to-order in a wide variety of plated or powder coated finishes and/or custom lengths.

Hangrod Brackets

No. V765-12 Hangrod Bracket



*Can add locknut thumb screw to reduce sway. Can be made to exact length required.

Application:

For use with No. 225 Hangrod and 700 Series Standards.

Features:

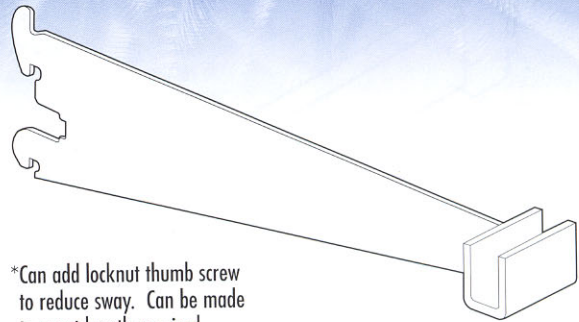
$\frac{3}{16}$ " thick saddle. $\frac{1}{2}$ " x $1\frac{1}{2}$ " tube.

Stock Finish:

Value Line Chrome.

Part Number	Length	Packed/Ctn.	Wt./Ctn.
V765-12	12"	12	13 Lbs.

No. 725-12 Hangrod Bracket



*Can add locknut thumb screw to reduce sway. Can be made to exact length required.

Application:

Designed for use with No. 225 Hangrod and 700 Series Standards.

Features:

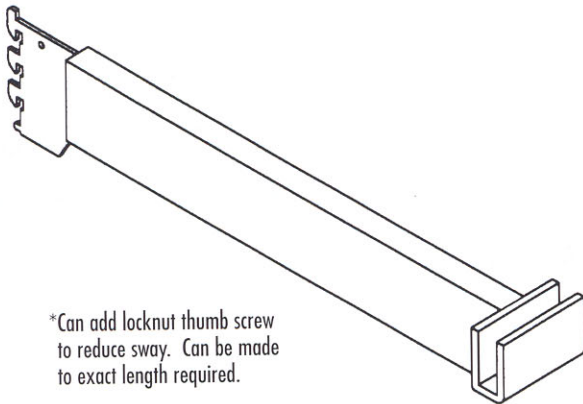
Uphook for added strength and stability. $\frac{3}{16}$ " thick saddle. Left hand and right hand available.

Stock Finish:

Polished Chrome.

Part Number	Length	Packed/Ctn.	Wt./Ctn.
725-L/C/R-12	12"	12	13 Lbs.

No. V865-12 Hangrod Bracket



*Can add locknut thumb screw to reduce sway. Can be made to exact length required.

Application:

Designed for use with No. 225 Hangrod and 800 Series Standards.

Features:

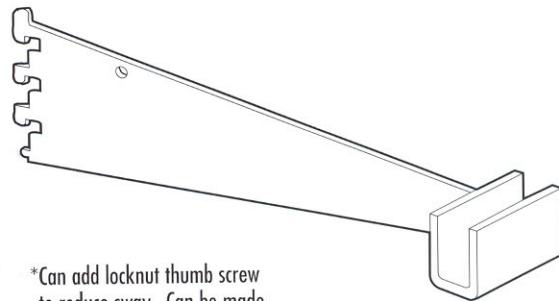
$\frac{3}{16}$ " thick saddle. $\frac{1}{2}$ " x $1\frac{1}{2}$ " tube.

Stock Finish:

Value Line Chrome.

Part Number	Length	Packed/Ctn.	Wt./Ctn.
V865-12	12"	12	13 Lbs.

No. 825 Hangrod Bracket



*Can add locknut thumb screw to reduce sway. Can be made to exact length required.

Application:

For use with No. 225 Hangrod and 800 Series Standards.

Features:

Uphook for added strength and stability. $\frac{3}{16}$ " thick saddle. Left hand and right hand available.

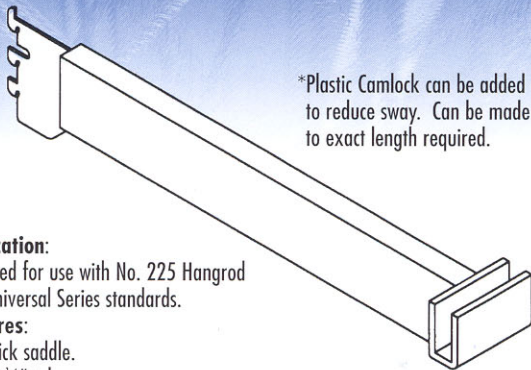
Stock Finish:

Polished Chrome.

Part Number	Length	Packed/Ctn.	Wt./Ctn.
825-L/C/R-12	12"	12	13 Lbs.

All items can be made-to-order in a wide variety of plated or powder coated finishes and/or custom lengths.

No. V465-12 Hangrod Bracket



*Plastic Camlock can be added to reduce sway. Can be made to exact length required.

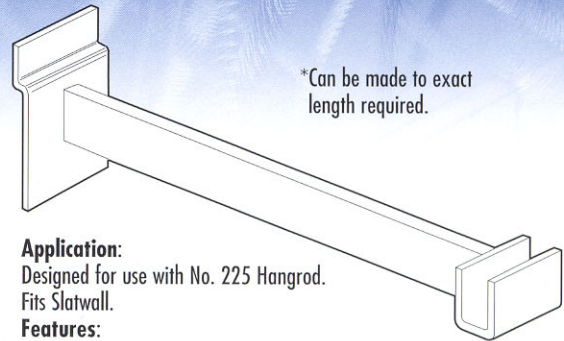
Application:
Designed for use with No. 225 Hangrod and Universal Series standards.

Features:
 $\frac{3}{16}$ " thick saddle.
 $\frac{1}{2}$ " x $1\frac{1}{2}$ " tube.

Stock Finish:
Value Line Chrome.

Part Number	Length	Packed/Ctn.	Wt./Ctn.
V465-12	12"	12	15 Lbs.

No. V965-12 Hangrod Bracket



*Can be made to exact length required.

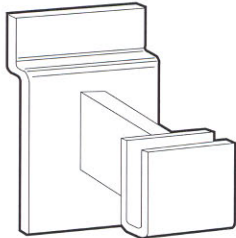
Application:
Designed for use with No. 225 Hangrod. Fits Slatwall.

Features:
.125" thick back plate. $\frac{3}{16}$ " thick saddle.
 $\frac{1}{2}$ " x $1\frac{1}{2}$ " tube.

Stock Finish:
Value Line Chrome.

Part Number	Length	Packed/Ctn.	Wt./Ctn.
V965-12	12"	12	15 Lbs.

No. V925-2 Hangrod Bracket



*Can be made to exact length required.

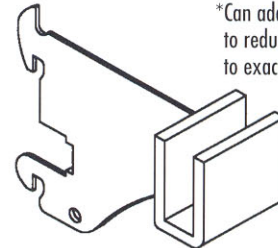
Application:
Designed for use with No. 225 Hangrod and Faceouts. Fits slatwall.

Features:
.125" thick back plate. $\frac{3}{16}$ " thick saddle.

Stock Finish:
Value Line Chrome.

Part Number	Length	Packed/Ctn.	Wt./Ctn.
V925-2	2"	12	15 Lbs.

No. 725-4 Hangrod Bracket



*Can add locknut thumb screw to reduce sway. Can be made to exact length required.

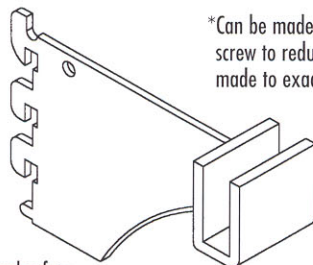
Application:
For use with No. 225 Hangrod and Faceouts. Fits 700 Series standards.

Features:
Up hook for added strength and stability. $\frac{3}{16}$ " thick saddle. Left hand and right hand available.

Stock Finish:
Polished Chrome.

Part Number	Length	Packed/Ctn.	Wt./Ctn.
725-L/C/R-4	4"	12	7 $\frac{1}{4}$ Lbs.

No. 825-4 Hangrod Bracket



*Can be made with locknut thumb screw to reduce sway. Can be made to exact length required.

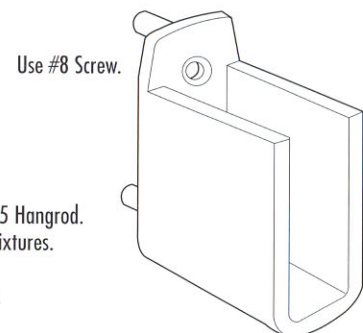
Application:
For use with No. 225 Hangrod. Fits 800 Series standards.

Features:
Up hook for added stability and safety. $\frac{3}{16}$ " thick saddle. Left hand and right hand available.

Stock Finish:
Polished Chrome.

Part Number	Length	Packed/Ctn.	Wt./Ctn.
825-L/C/R-4	4"	12	7 $\frac{1}{4}$ Lbs.

No. 869 32mm Hangrod Saddle



Use #8 Screw.

Application:
Designed to hold No. 225 Hangrod. Use with 32mm drilled fixtures.

Features:
Die cast. 5mm long pins.

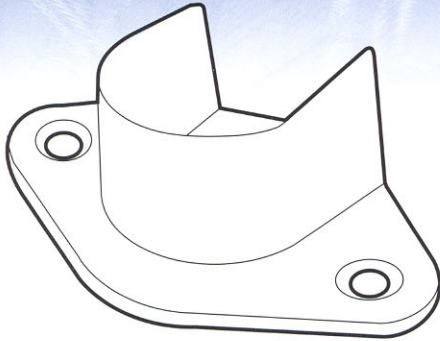
Stock Finish:
Chrome.

Part Number	Packed/Ctn.	Wt./Ctn.
869	24	12 Lbs.

All items can be made-to-order in a wide variety of plated or powder coated finishes and/or custom lengths.

Hangrod Brackets & Accessories

No. 91 Hangrod Flange



Application:

Use with No. 89-A Hangrod. No. 91-B available for 89-B Hangrod.

Features:

Open top for slip fit.

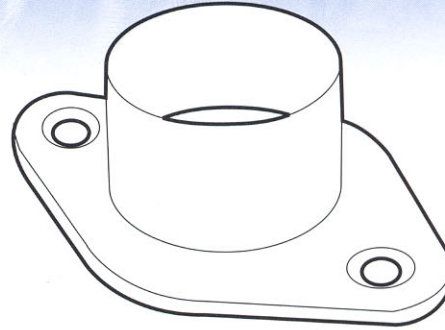
Stock Finish:

Chrome.

Part Number	Packed/Ctn.	Wt./Ctn.
91	24	3½ Lbs.

Use #8 screw.

No. 92 Hangrod Flange



Application:

Designed for use with No. 91 Hangrod Flange to support No. 89-A Hangrod. No. 92-B available for 89-B Hangrod.

Features:

Closed flange.

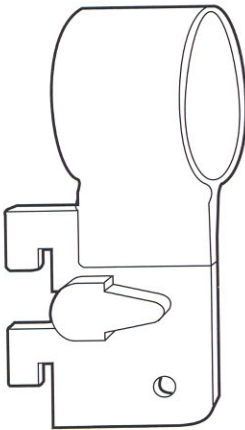
Stock Finish:

Chrome.

Part Number	Packed/Ctn.	Wt./Ctn.
92	24	2½ Lbs.

Use #8 screw.

No. 93-A Hangrod Bracket (Fits Universal Series)



Application:

Designed as end mount bracket for No. 89-A Hangrod.

Features:

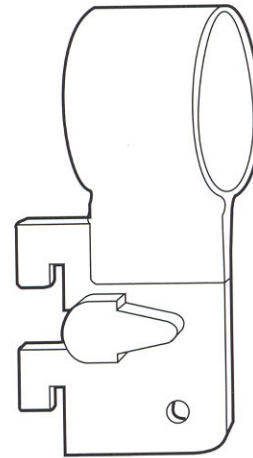
Plastic Camlock for added stability and safety.

Stock Finish:

Chrome.

Part Number	Packed/Ctn.	Wt./Ctn.
93-A	24	3 Lbs.

No. 93-B Hangrod Bracket (Fits Universal Series)



Application:

Designed as end mount bracket for No. 89-B Hangrod.

Features:

Plastic Camlock for added stability and safety.

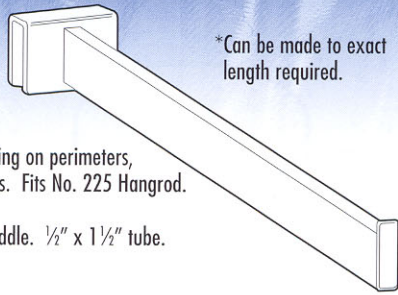
Stock Finish:

Chrome.

Part Number	Packed/Ctn.	Wt./Ctn.
93-B	24	3¼ Lbs.

All items can be made-to-order in a wide variety of plated or powder coated finishes.

No. V235 Hangrod Faceout



*Can be made to exact length required.

Application:

For faceout merchandising on perimeters, loose fixtures, and racks. Fits No. 225 Hangrod.

Features:

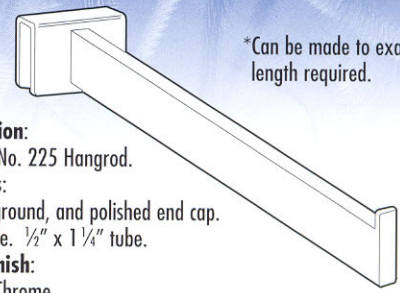
Plastic end cap. $\frac{3}{16}$ " saddle. $\frac{1}{2}$ " x $1\frac{1}{2}$ " tube.

Stock Finish:

Value Line Chrome.

Part Number	Length	Packed/Ctn.	Wt./Ctn.
V235-12	12"	12	10¼ Lbs.

No. 235 Hangrod Faceout



*Can be made to exact length required.

Application:

Use with No. 225 Hangrod.

Features:

Welded, ground, and polished end cap.

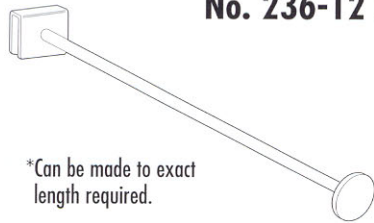
$\frac{3}{16}$ " saddle. $\frac{1}{2}$ " x $1\frac{1}{4}$ " tube.

Stock Finish:

Polished Chrome.

Part Number	Length	Packed/Ctn.	Wt./Ctn.
235-6	6"	12	9 Lbs.
235-12	12"	12	10¼ Lbs.

No. 236-12 Faceout



*Can be made to exact length required.

Application:

Fits No. 225 Hangrod.

Features:

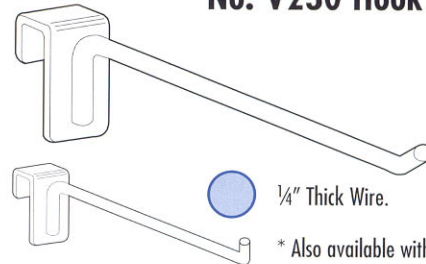
$\frac{3}{8}$ " Diameter Bar. 1" Diameter end cap.

Stock Finish:

Polished Chrome.

Part Number	Length	Packed/Ctn.	Wt./Ctn.
236-12	12"	12	10¼ Lbs.

No. V230 Hook



Application:

Fits No. 225 Hangrod.

Features:

$\frac{1}{4}$ " Diameter Wire.

Stock Finish:

Bright Chrome.

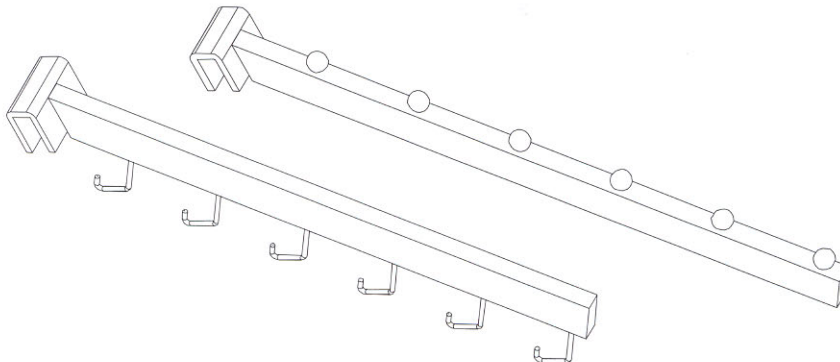
$\frac{1}{4}$ " Thick Wire.

* Also available with 90° tip.

Part Number	Length	Packed/Ctn.	Wt./Ctn.
V230-4	4"	100	14 Lbs.
V230-6	6"	100	17 Lbs.
V230-8	8"	100	20 Lbs.
V230-10	10"	100	23 Lbs.

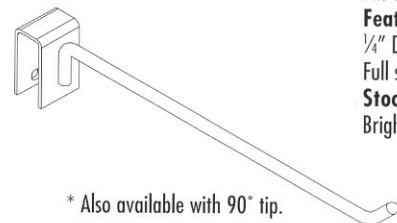
No. 234 Hangrod Waterfall

Displays for $\frac{1}{2}$ " x $1\frac{1}{2}$ " bar. 30° downslant. **Stock Finish:** Polished Chrome.



Part Number	Length	Packed/Ctn.	Wt./Ctn.
234-12-B	12"	12	16 Lbs.
234-12-H	12"	12	16 Lbs.
234-16-B	16"	12	20 Lbs.
234-16-H	16"	12	20 Lbs.

No. 230 Hook



Application:

Fits No. 225 Hangrod.

Features:

$\frac{1}{4}$ " Diameter Wire.

Full sized saddle.

Stock Finish:

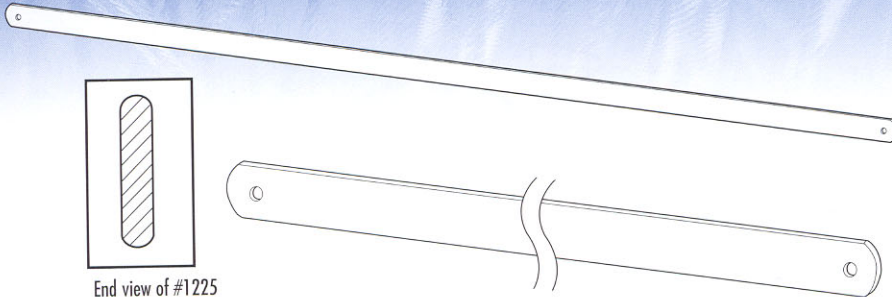
Bright Chrome.

* Also available with 90° tip.

Part Number	Length	Packed/Ctn.	Wt./Ctn.
230-4	4"	24	9 Lbs.
230-6	6"	24	9½ Lbs.
230-8	8"	24	10 Lbs.

All items can be made-to-order in a wide variety of plated or powder coated finishes and/or custom lengths.

No. 1225 Merchandising Bar



End view of #1225 Merchandising Bar.

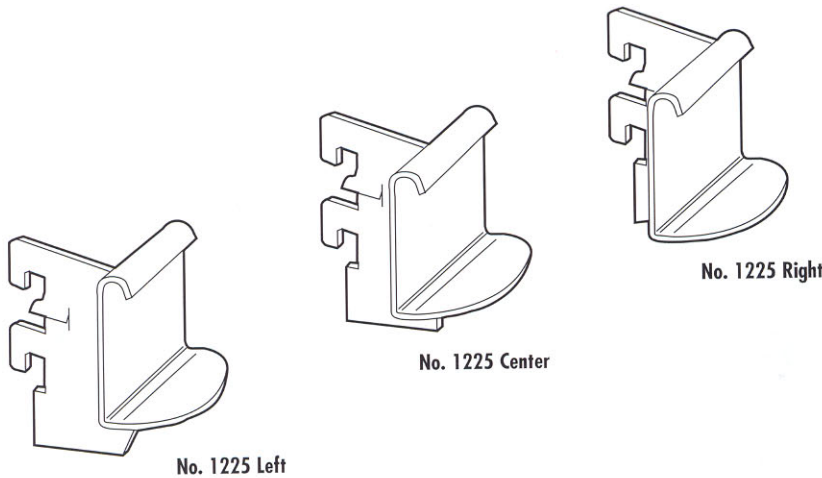
Application:
For light duty merchandising applications.

Features:
3/16" x 1" round edge bar.

Stock Finish:
Chrome.

Part Number	Length	Packed/Ctn.	Wt./Ctn.
1225-30	30"	10	15 1/2 Lbs.
1225-36	36"	10	18 3/4 Lbs.
1225-48	48"	10	25 Lbs.
1225-60	60"	10	31 1/4 Lbs.

No. 1225 Bracket



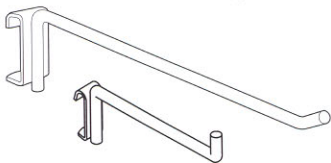
Application:
For use with No. 1225 Crossbar.

Features:
Snap-in clip.

Stock Finish:
Chrome.

Part Number	Length	Packed/Ctn.	Wt./Ctn.
1225-L/C/R-1	1"	12	1 Lb.
1225-L/C/R-2	2"	12	1 1/2 Lbs.
1225-L/C/R-6	6"	12	3 1/4 Lbs.
1225-L/C/R-10	10"	12	5 1/4 Lbs.

No. 1230/1232 Crossbar Hooks




* Also Available with 90° tip.

Application:
Designed for use on No. 1225 Crossbar.

Features:
No. 1230: 1/4" diameter wire.
No. 1232: 3/16" diameter wire.

Stock Finish:
Brillatone (Satin Zinc).

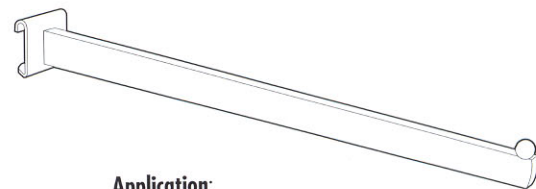
Actual Size

 No. 1230
 1/4" Diam. Wire.


 No. 1232
 3/16" Diam. Wire.

Part Number	Length	Packed/Ctn.	Wt./Ctn.
1230-4	4"	100	6 Lbs.
1230-6	6"	100	7 Lbs.
1230-8	8"	100	9 Lbs.
1230-12	12"	100	11 Lbs.

Part Number	Length	Packed/Ctn.	Wt./Ctn.
1232-4	4"	100	4 Lbs.
1232-6	6"	100	6 Lbs.
1232-8	8"	100	8 Lbs.

No. 1235 Crossbar Straight Faceout



Application:
Designed for use on No. 1225 Crossbar.

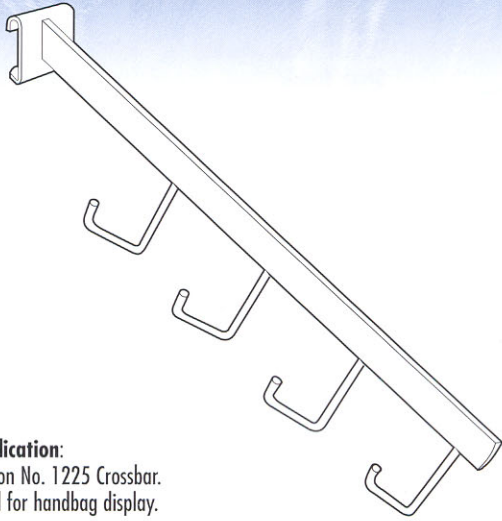
Features:
12" Straight Faceout with ball stop.
Made with 3/16" x 1" round edge bar.

Stock Finish:
Chrome.

Part Number	Length	Packed/Ctn.	Wt./Ctn.
1235-12	12"	6	1 Lb.

All items can be made-to-order in a wide variety of plated or powder coated finishes and/or custom lengths.

No. 1234-12-H Crossbar J-Hook Faceout



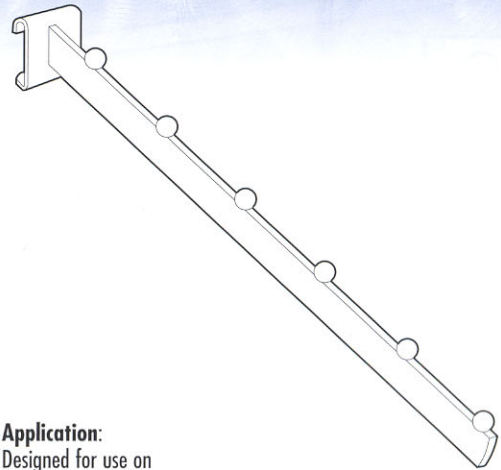
Application:
Use on No. 1225 Crossbar.
Ideal for handbag display.

Features:
Four J-Hooks, 12" long, 30° downslant.
Made with 3/16" x 1" round edge bar.

Stock Finish:
Chrome.

Part Number	Length	Packed/Ctn.	Wt./Ctn.
1234-12-H	12"	6	5.52 Lbs.

No. 1234-12-B Crossbar Downslant Faceout



Application:
Designed for use on
No. 1225 Crossbar.

Features:
30° downslant, 12" long, with six balls.
Made with 3/16" x 1" round edge bar.

Stock Finish:
Chrome.

Part Number	Length	Packed/Ctn.	Wt./Ctn.
1234-12-B	12"	6	5.46 Lbs.

All items can be made-to-order in a wide variety of plated or powder coated finishes and/or custom lengths.