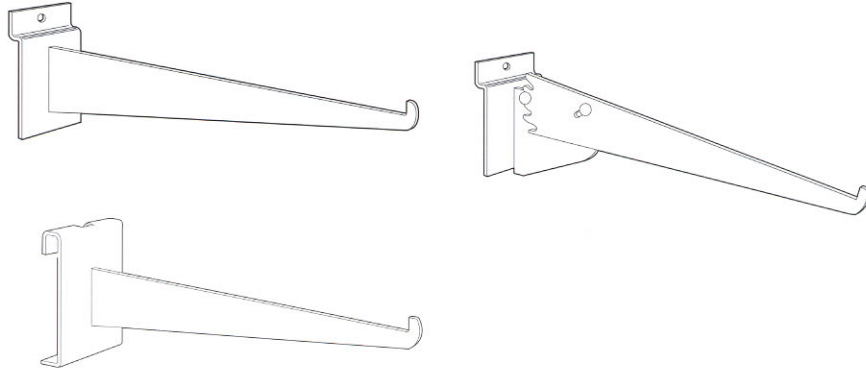
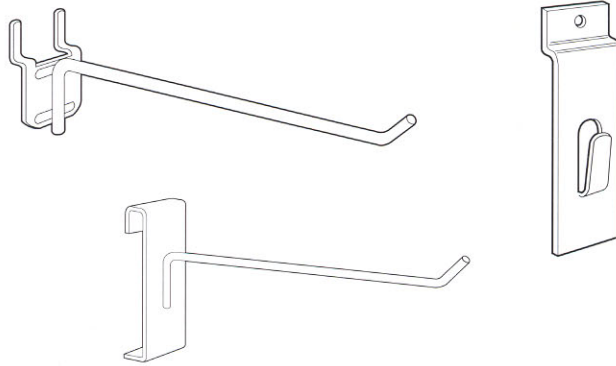


Section 4 Slatwall & Grid Hardware

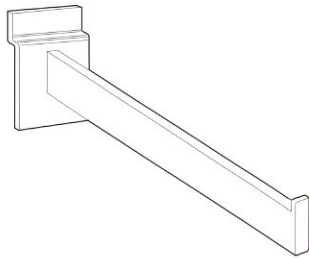
BRACKETS



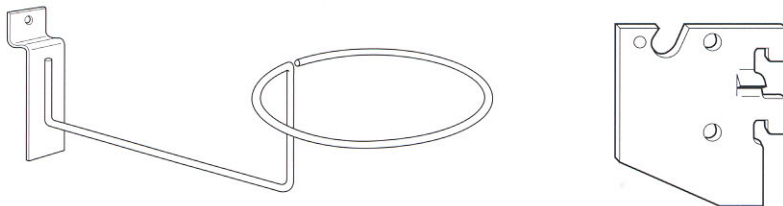
HOOKS



FACEOUTS



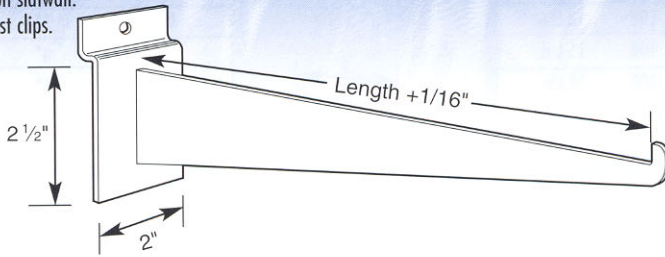
ACCESSORIES



No. 98 Slatwall Shelf Bracket

Application:
Glass and wood shelves on slatwall.
See page 1.9 for shelf rest clips.

Features:
14 gauge back plate.
Tempered Steel Bracket.
Stock Finish:
Brillatone (Satin Zinc),
Brass, P51 Black,
P56 White,
and Chrome.

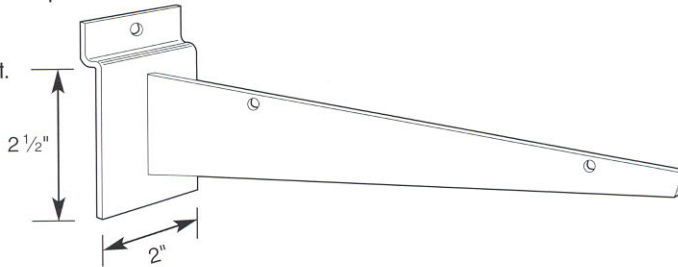


Part Number	Length	Packed/Ctn.	Wt./Ctn.
98-4	4"	12	3 1/2 Lbs.
98-6	6"	12	4 Lbs.
98-8	8"	12	5 Lbs.
98-10	10"	12	5 1/2 Lbs.
98-12	12"	12	6 1/4 Lbs.
98-14	14"	12	7 3/4 Lbs.
98-16	16"	12	8 1/2 Lbs.

No. 108 Slatwall Shelf Bracket

Application:
For use in areas where shelf sits even with, or beyond, the tip of the bracket.
See page 3.5 for shelf rest clips.

Features:
14 gauge back plate.
Tempered Steel Bracket.
Stock Finish:
Chrome.



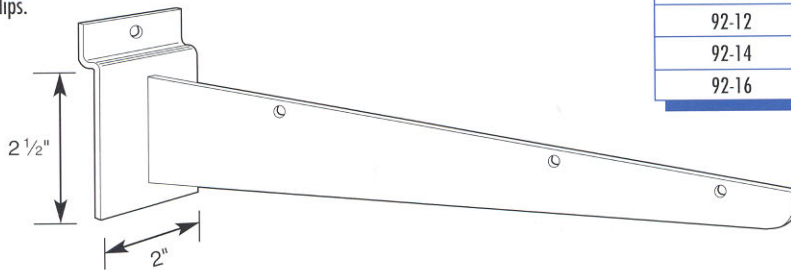
Part Number	Length	Packed/Ctn.	Wt./Ctn.
108-8	8"	12	4 1/2 Lbs.
108-10	10"	12	5 Lbs.
108-12	12"	12	6 Lbs.
108-14	14"	12	7 Lbs.
108-16	16"	12	8 Lbs.

No. 92 Slatwall Shelf Bracket

Application:
Designed for heaviest loads. Should be used on reinforced slatwall when using heavy loads.
See page 3.5 for shelf rest clips.

Features:
1/8" thick back plate
and bracket.
Tempered Steel Bracket.
Stock Finish:
Chrome.

Can be used with #745 and
#845 Hangrod Adapters.



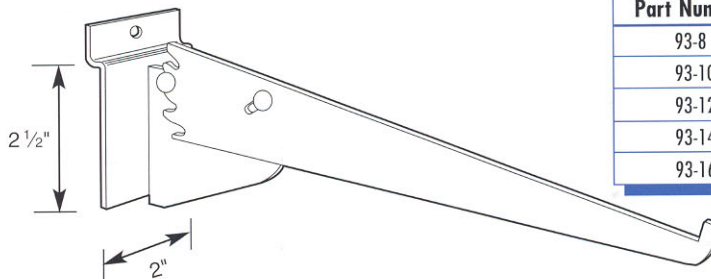
Part Number	Length	Packed/Ctn.	Wt./Ctn.
92-10	10"	12	4 1/2 Lbs.
92-12	12"	12	6 Lbs.
92-14	14"	12	7 Lbs.
92-16	16"	12	8 Lbs.

No. 93 Slatwall Shelf Bracket (Adjustable Downslant)

Application:
For use in slatwall on
perimeters and loose fixtures.

Features:
Tempered Steel.
Straight, 7°, 15°, 30°, 45°,
and 60° downslant.

Stock Finish:
Brillatone (Satin Zinc),
Chrome, and Brass.

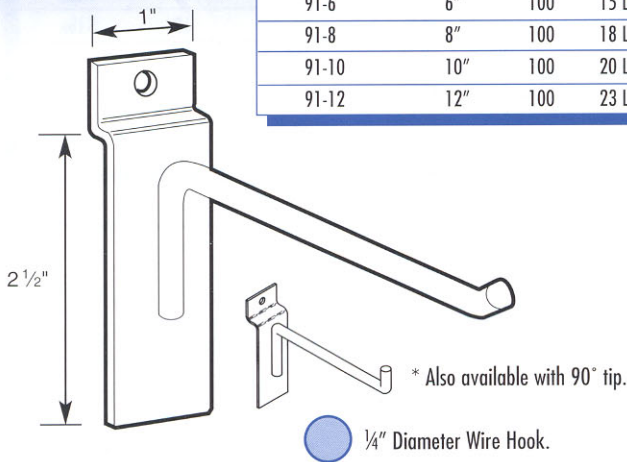


Part Number	Length	Packed/Ctn.	Wt./Ctn.
93-8	8"	12	5 1/10 Lbs.
93-10	10"	12	5 3/5 Lbs.
93-12	12"	12	6 3/10 Lbs.
93-14	14"	12	7 1/5 Lbs.
93-16	16"	12	8 3/5 Lbs.

All items can be made-to-order in a wide variety of plated or powder coated finishes and/or custom lengths.

No. 91 Hook for Slatwall

Part Number	Length	Packed	Wt./Ctn.
91-4	4"	100	13 Lbs.
91-6	6"	100	15 Lbs.
91-8	8"	100	18 Lbs.
91-10	10"	100	20 Lbs.
91-12	12"	100	23 Lbs.



Application:

For use in slatwall on perimeters and loose fixtures.

Features:

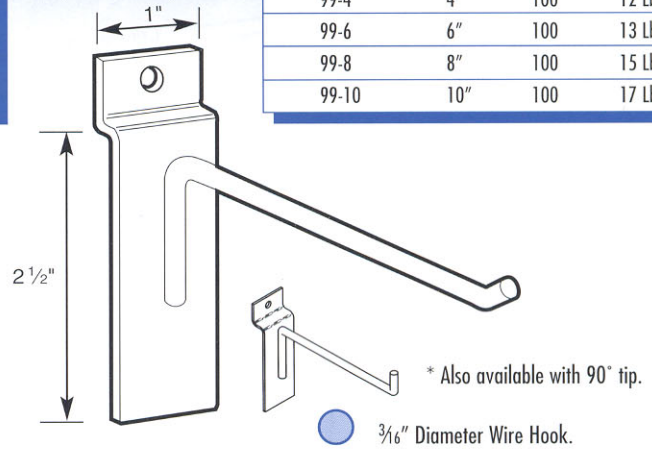
1/4" Diameter wire hook.

Stock Finish:

Brillatone (Satin Zinc), P51 Black, P56 White, Chrome and Brass.

No. 99 Hook for Slatwall

Part Number	Length	Packed	Wt./Ctn.
99-2	2"	100	12 Lbs.
99-4	4"	100	12 Lbs.
99-6	6"	100	13 Lbs.
99-8	8"	100	15 Lbs.
99-10	10"	100	17 Lbs.



Application:

For use in slatwall on perimeters and loose fixtures.

Features:

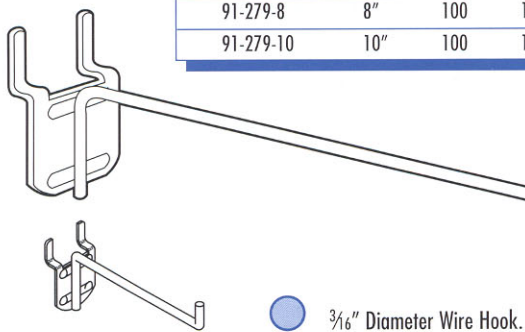
3/16" Diameter wire hook.

Stock Finish:

Brillatone (Satin Zinc), P51 Black, P56 White, Chrome and Brass.

No. 91-279 Hook for Slatwall/Pegboard

Part Number	Length	Packed	Wt./Ctn.
91-279-2	2"	100	12 Lbs.
91-279-4	4"	100	12 Lbs.
91-279-6	6"	100	13 Lbs.
91-279-8	8"	100	15 Lbs.
91-279-10	10"	100	17 Lbs.



Application:

For use in either slatwall or pegboard.

Features:

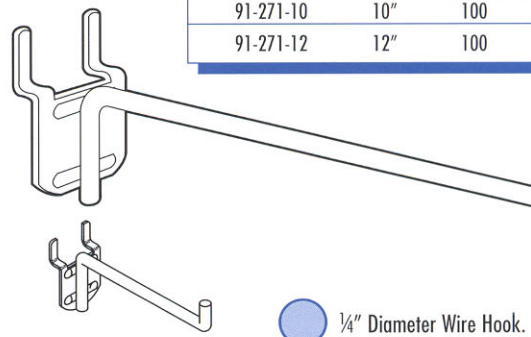
3/16" Diameter wire hook.

Stock Finish:

Brillatone (Satin Zinc).

No. 91-271 Hook for Slatwall/Pegboard

Part Number	Length	Packed	Wt./Ctn.
91-271-4	4"	100	13 Lbs.
91-271-6	6"	100	15 Lbs.
91-271-8	8"	100	18 Lbs.
91-271-10	10"	100	20 Lbs.
91-271-12	12"	100	23 Lbs.



Application:

For use in either slatwall or pegboard.

Features:

1/4" Diameter wire hook.

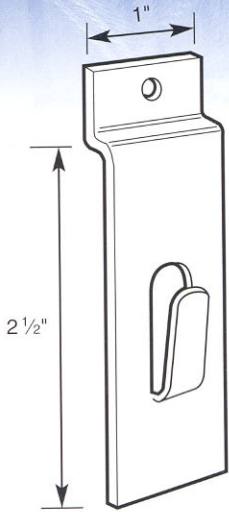
Stock Finish:

Brillatone (Satin Zinc).

All items can be made-to-order in a wide variety of plated or powder coated finishes and/or custom lengths.

Displayers for Slatwall

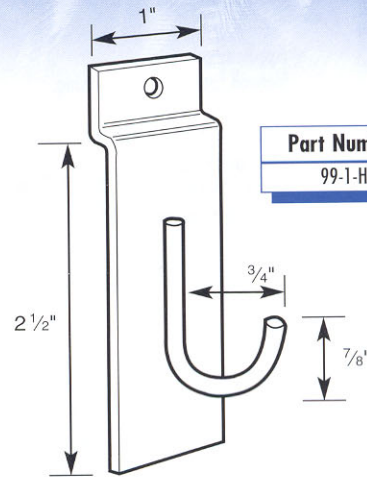
No. 99-1-P Picture Hanger for Slatwall



Part Number	Packed/Ctn.	Wt./Ea.
99-1-P	100	.07 Lbs.

Application:
For pictures, framed art, and similar items in slatwall.
Features:
14-gauge steel.
Stock Finish:
Chrome and Brass.

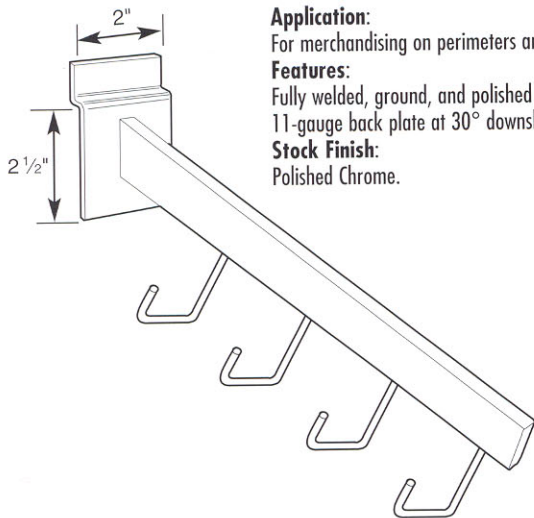
No. 99-1-H Utility Hook for Slatwall



Part Number	Packed/Ctn.	Wt./Ea.
99-1-H	100	.09 Lbs.

Application:
For single item hanging.
Features:
14-gauge steel back plate.
Stock Finish:
Chrome and Brass.

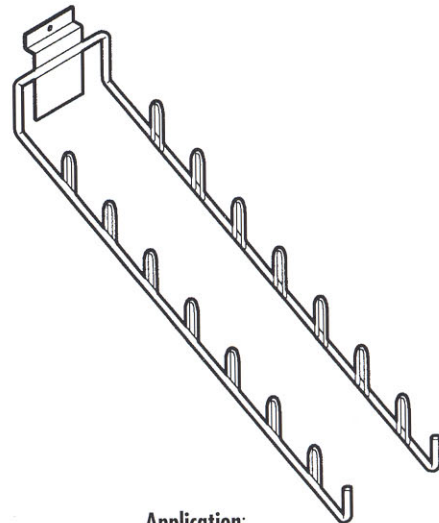
No. 94-12-H Slatwall J-Hook Faceout



Application:
For merchandising on perimeters and loose fixtures.
Features:
Fully welded, ground, and polished end cap. Four J-hooks, 11-gauge back plate at 30° downslant. 1/2" X 1 1/2" tube.
Stock Finish:
Polished Chrome.

Part Number	Length	No. of Hooks	Packed/Ctn.	Wt./Ctn.
94-12-H	12"	4	12	14 Lbs.

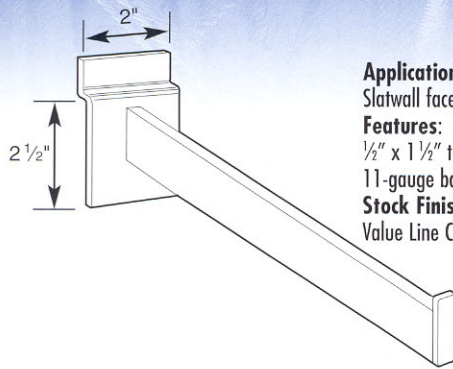
No. 95-9 Cascading Racquet Holder



Application:
Fits slatwall.
Features:
Displays up to 6 racquets or other sporting goods.
Stock Finish:
Made-to-Order.

All items can be made-to-order in a wide variety of plated or powder coated finishes and/or custom lengths.

No. V90 Faceout

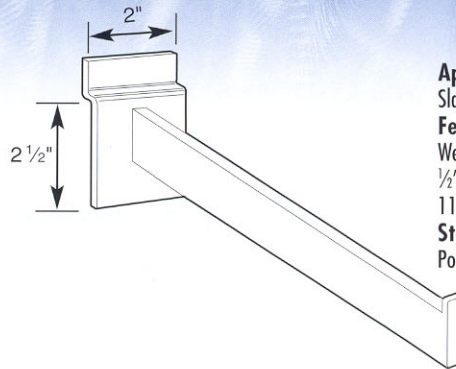


Application:
Slatwall faceout merchandising.
Features:
1/2" x 1 1/2" tube. Plastic end cap.
11-gauge back plate.
Stock Finish:
Value Line Chrome.

Part Number	Length	Packed/Ctn.	Wt./Ctn.
V90-12	12"	12	13 Lbs.

*Can be made to exact length required.

No. 90 Faceout

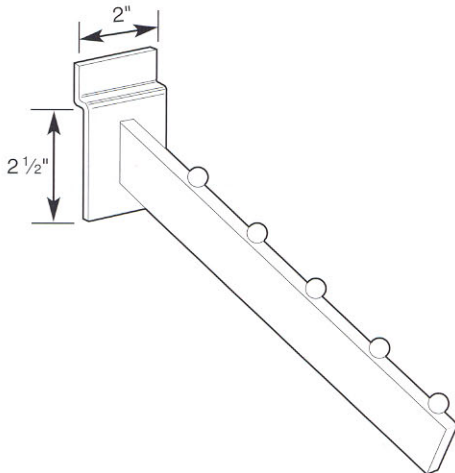


Application:
Slatwall faceout merchandising.
Features:
Welded, ground, and polished end cap.
1/2" x 1 1/4" tube.
11-gauge back plate.
Stock Finish:
Polished Chrome and Brass.

Part Number	Length	Packed/Ctn.	Wt./Ctn.
90-6	6"	12	9 Lbs.
90-12	12"	12	15 Lbs.

*Can be made to exact length required.

No. 94 Waterfall Faceout

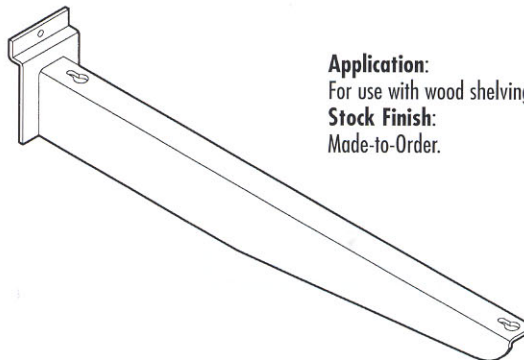


Part Number	Length	Packed/Ctn.	Wt./Ctn.
94-12-B	12" (5 Balls)	12	15 Lbs.
94-16-B	16" (6 Balls)	12	17 Lbs.

*Can be made with cube stops also.

Application:
Slatwall faceout merchandising on perimeters and loose fixtures.
Features:
Welded, ground, and polished end cap. 11-gauge back plate, 30° downslant.
1/2" x 1 1/4" tube.
Stock Finish:
Polished Chrome and Brass.

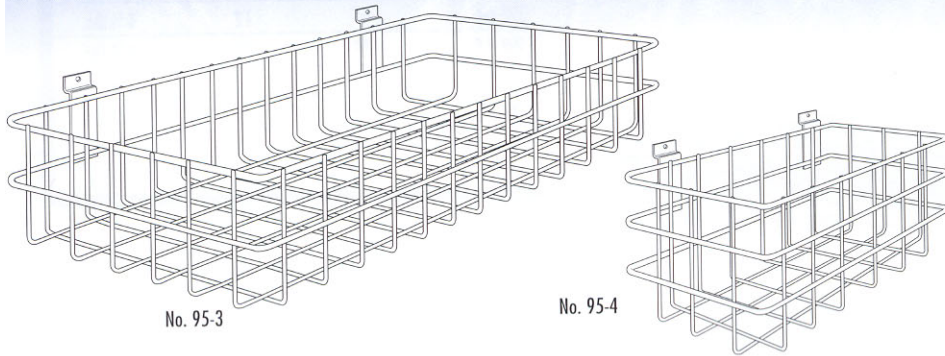
No. 981 Slatwall Bracket



Application:
For use with wood shelving. Available in left & right sides.
Stock Finish:
Made-to-Order.

All items can be made-to-order in a wide variety of plated or powder coated finishes and/or custom lengths.

No. 95 Wire Basket



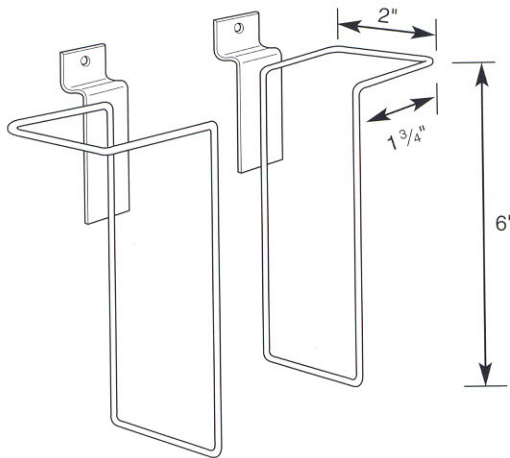
Part Number	Length	Packed/Ctn.
95-3	12" x 24" x 4 1/2"	3
95-4	6" x 12" x 6"	1
95-5	12" x 12" x 8" (not shown)	1

Application:
Designed for slatwall display of a wide variety of merchandise.

Features:
1 3/4" mesh.

Stock Finish:
P56 White Powder Coat.

No. 95-2 Adjustable Literature Holder



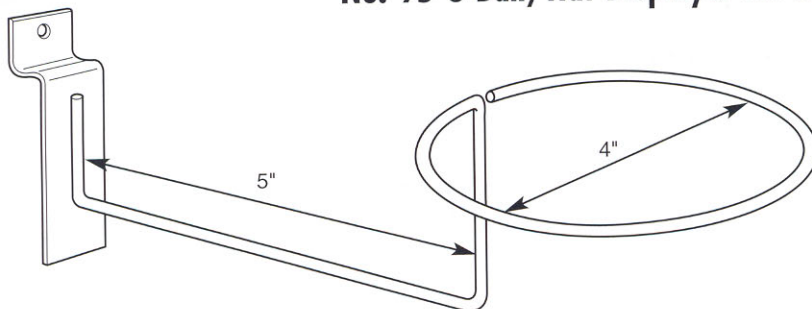
Part Number	Packed/Ctn.	Wt./Ctn.
95-2	12	5 Lbs.

Application:
For slatwall display of books and brochures.

Features:
Adjustable width.

Stock Finish:
Chrome.

No. 95-8 Ball/Hat Displayer for Slatwall



 3/16" Diameter Wire.

Part Number	Ring Diam.	Packed	Wt./ Ea.
95-8	4"	12	.25 Lb.

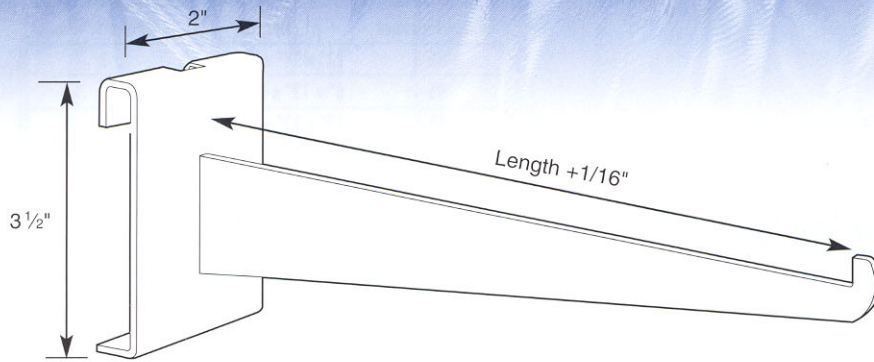
Application:
For slatwall display of balls, hats, and similar items.

Features:
4" diameter ring. 3/16" diameter wire.

Stock Finish:
Chrome.

All items can be made-to-order in a wide variety of plated or powder coated finishes and/or custom lengths.

No. 398 Shelf Bracket



Part Number	Length	Packed	Wt./Ctn.
398-4-C	4"	12	3 1/2 Lbs.
398-6-C	6"	12	4 1/4 Lbs.
398-8-C	8"	12	4 1/2 Lbs.
398-10-C	10"	12	5 Lbs.
398-12-C	12"	12	6 1/8 Lbs.
398-14-C	14"	12	7 3/4 Lbs.
398-16-C	16"	12	8 1/2 Lbs.

Application:

For use with glass or wood shelves on 3" grid.

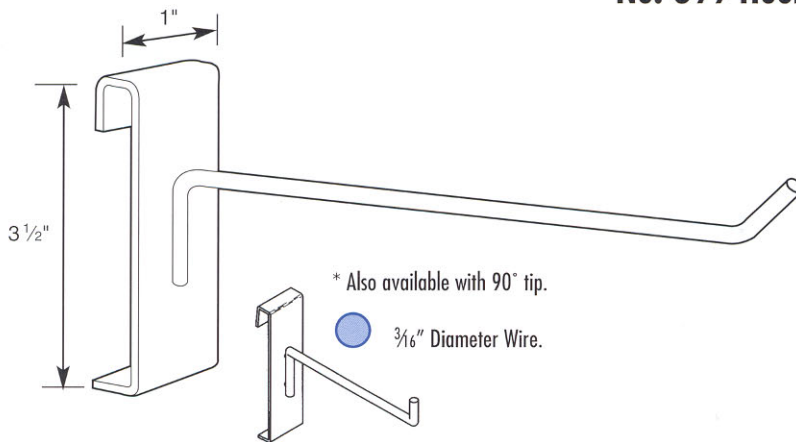
Features:

Strong grid plate and tip on front holds shelf securely.
Tempered Steel.

Stock Finish:

Chrome.

No. 399 Hook



Part Number	Length	Packed	Wt./Ctn.
399-2-C	2"	100	12 Lbs.
399-4-C	4"	100	12 1/2 Lbs.
399-6-C	6"	100	13 Lbs.
399-8-C	8"	100	15 Lbs.
399-10-C	10"	100	15 3/4 Lbs.

Application:

For use with 3" grid.

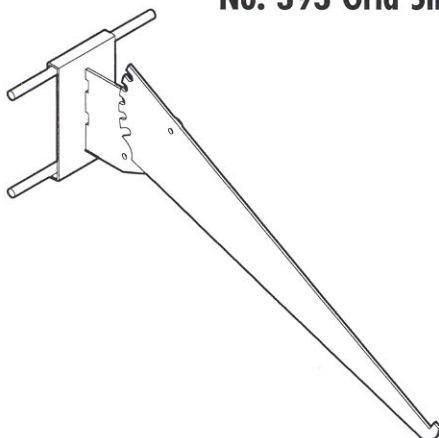
Features:

3/16" diameter wire.

Stock Finish:

Chrome.

No. 393 Grid Shelf Bracket (Adjustable Down Slant)



Application:

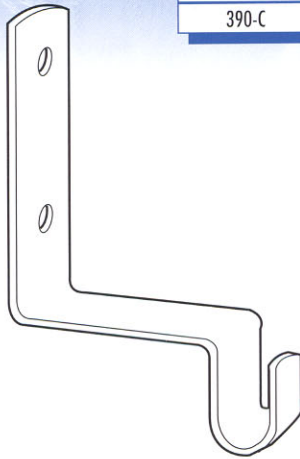
For use with glass or wood shelves on 3" grid.

Stock Finish:

Made-to-Order.

All items can be made-to-order in a wide variety of plated or powder coated finishes and/or custom lengths.

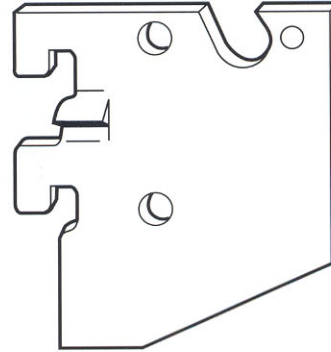
No. 390-C Wall Hanger



Part Number	Packed	Wt./Ctn.
390-C	12	1 ½ Lb.

Application:
Designed to hang ¼" wire grid to wall surface.
Features:
Strong steel clip.
Stock Finish:
Chrome.

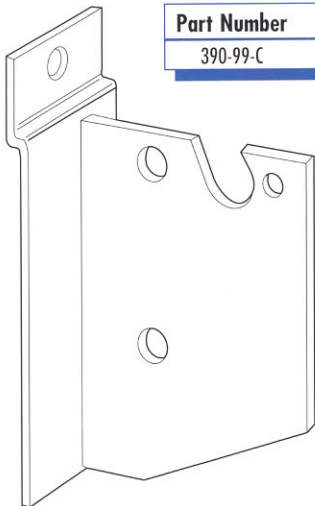
No. 390-41-C Standard Hanger



Part Number	Packed	Wt./Ctn.
390-41-C	12	1 ½ Lbs.

Application:
Designed to hang grid panels from slotted standards.
Features:
This versatile hanger can accept ¼" grid or hangrod adapters. Stabilizer reduces sway.
Stock Finish:
Chrome.

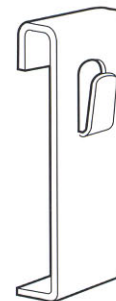
390-99-C Slatwall Hanger



Part Number	Packed	Wt./Ctn.
390-99-C	12	2 ½ Lbs.

Application:
Designed to hang grid panels from slatwall.
Features:
This versatile hanger can accept ¼" grid or hangrod adapters.
Stock Finish:
Chrome.

No. 399-1-C-P Picture Hanger



Part Number	Packed	Wt./Ctn.
399-1-C-P	100	10 Lbs.

Application:
Designed for hanging of pictures, framed art, and similar items.
Features:
Punch formed hook for strong hanging surface.
Stock Finish:
Chrome.

All items can be made-to-order in a wide variety of plated or powder coated finishes and/or custom lengths.