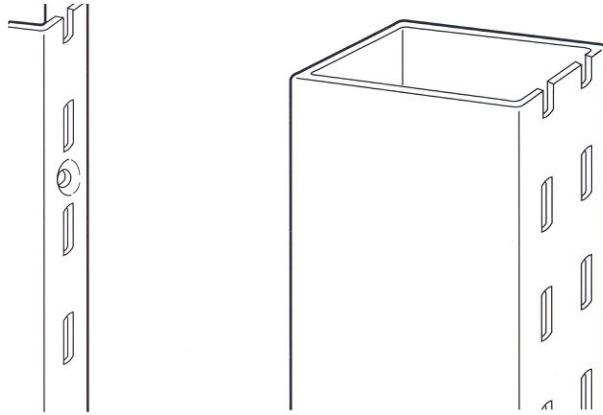


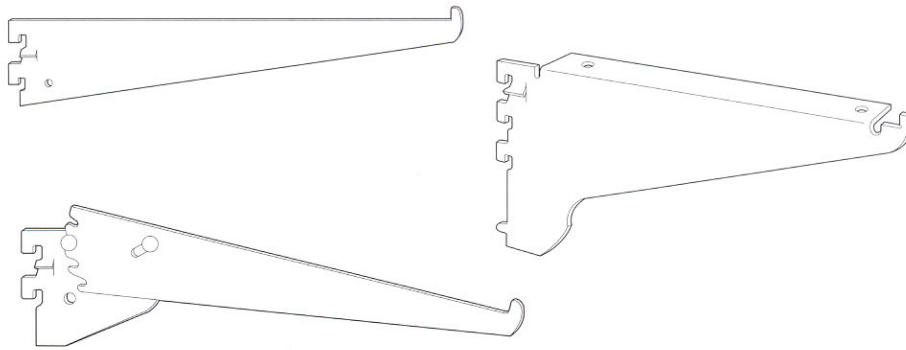
Section 1

Universal Line

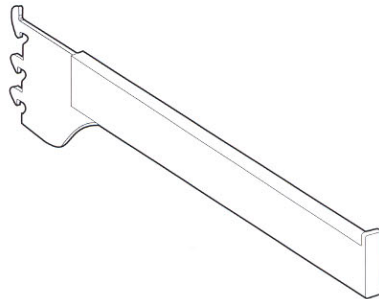
STANDARDS



BRACKETS



FACEOUTS

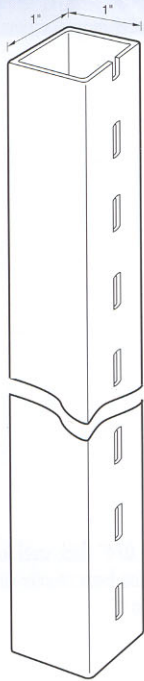


ACCESSORIES



Universal Line Slotting has 1/2" long slots at 1" On Center (Medium Duty)

No. 85 1" Square Tube Standard



Part Number	Length	Slotting	Plated	Packed/Ctn.
85-12-NSU	12'	No	No	6
85-12-S1SU	12'	1 Side	No	6
85-12-S2SU*	12'	2 Sides	No	6
85-12-S3SU	12'	3 Sides	No	6
85-12-S4SU	12'	4 Sides	No	6
85-12-S1S	12'	1 Side	Yes	6
85-12-S2S*	12'	2 Sides	Yes	6

* All stock S2S tube standards are slotted on front & back.

Application:

Welded frames, wall cases, and outriggers.

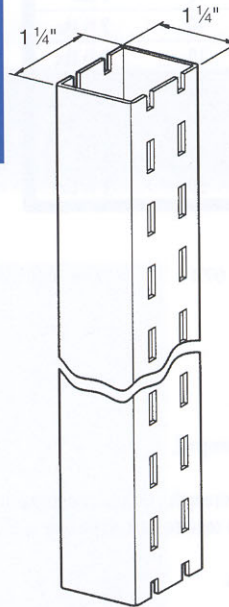
Features:

16-gauge steel, single slotted. Available slotted on 1, 2, 3, or all sides.

Stock Finish:

Brillatone (Satin Zinc) and Raw Steel.

No. 84 1 1/4" Square Tube Standard



Part Number	Length	Packed/Ctn.	Wt./Ea.
84-4.5	4 1/2'	4	4 1/2 Lbs.
84-7.5	7 1/2'	4	9 Lbs.
84-9.5	9 1/2'	4	11 Lbs.
84-11.5	11 1/2'	4	13 Lbs.

Application:

Welded frames, counter top standards, and outriggers.

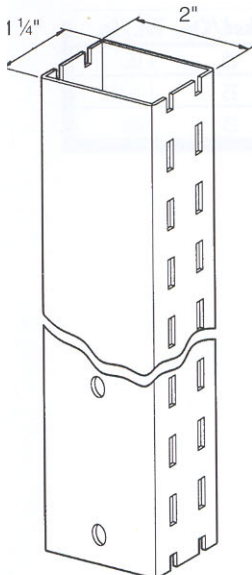
Features:

16-gauge steel, double slotted. Available slotted on 1, 2, 3, or all sides.

Stock Finish:

Brillatone (Satin Zinc).

No. 80 1 1/4" x 2" Tube Standard



Part Number	Length	Packed/Ctn.	Wt./Ea.
80-4	4'	6	6 Lbs.
80-4.5	4 1/2'	6	6 3/4 Lbs.
80-5	5'	6	7 1/2 Lbs.
80-6	6'	6	9 Lbs.
80-7	7'	6	10 1/2 Lbs.
80-8-w/hls	8'	3	12 Lbs.
80-8*	8'	3	12 Lbs.
80-10*	10'	3	14 Lbs.
80-12*	12'	3	16 Lbs.

* No Bolt Holes.

Application:

Gondola, wall units, and loose fixtures.

Features:

16-gauge steel, double slotted two sides. Available slotted on one side.

Stock Finish:

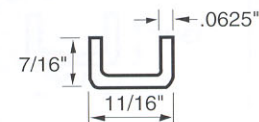
Brillatone (Satin Zinc) and Brass.

No. 40 Standard



Part Number	Length	Packed/Ctn.	Wt./Ea.
40-2	2'	10	1/2 Lb.
40-2.5	2 1/2'	10	3/4 Lb.
40-3	3'	10	3/4 Lb.
40-4	4'	10	1 Lb.
40-5	5'	10	1 1/4 Lbs.
40-6	6'	10	1 1/2 Lbs.
40-7	7'	10	1 3/4 Lbs.
40-8	8'	10	2 Lbs.
40-10	10'	10	2 1/2 Lbs.

Use #7 Screw.



Application:

General purpose shelf, loose fixture, and showcase standard.

Features:

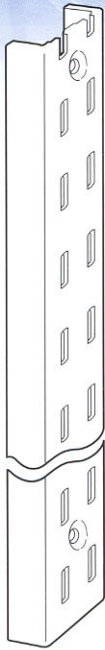
Can be manufactured without screw holes for showcases or with one top mounting screw hole and/or with insert in back. On center dimension from counter-sunk screw hole to counter-sunk screw hole is 6".

Stock Finish:

Brillatone (Zinc) and Brass.

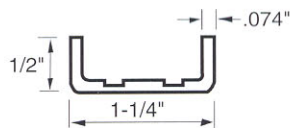
All items can be made-to-order in a wide variety of plated or powder coated finishes and/or custom lengths.

No. 44 Standard



Part Number	Length	Packed/Ctn.	Wt./Ea.
44-2	2'	10	1 ¼ Lbs.
44-2.5	2 ½'	10	1 ½ Lbs.
44-3	3'	10	2 Lbs.
44-4	4'	10	2 ¼ Lbs.
44-5	5'	10	2 ½ Lbs.
44-6	6'	10	3 Lbs.
44-7	7'	10	3 ½ Lbs.
44-8	8'	10	4 Lbs.
44-10	10'	10	4 ¾ Lbs.

Use #10 Screw.

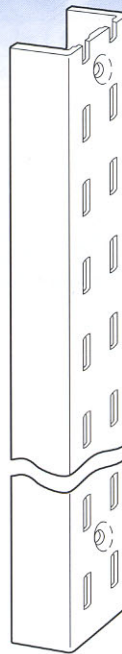


Application:
General purpose shelving and hangrod.

Features:
.074" thick steel for additional strength. On center dimension from counter-sunk screw hole to counter-sunk screw hole is 6".

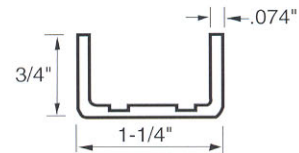
Stock Finish:
Brillatone (Satin Zinc) and Brass.

No. 54 Standard



Part Number	Length	Packed/Ctn.	Wt./Ea.
54-8	8'	10	5 Lbs.

Use #10 Screw.



Application:
Primarily for use with slatwall.

Features:
¾" legs for flush slatwall installation. .074" thick steel for additional strength. On center dimension from counter-sunk screw hole to counter-sunk screw hole is 6".

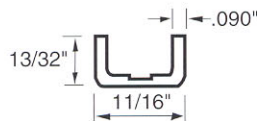
Stock Finish:
Brillatone (Satin Zinc).

No. 20 Standard



Part Number	Length	Packed/Ctn.	Wt./Ea.
20-4	4'	10	¾ Lb.
20-5	5'	10	1 ½ Lbs.
20-6	6'	10	2 Lbs.
20-7	7'	10	2 ¼ Lbs.
20-8	8'	10	2 ½ Lbs.
20-10	10'	10	3 Lbs.

Use #7 Screw.



Application:
For heavier loads on perimeters, loose fixtures, and showcases.

Features:
.090" thick steel for additional strength. On center dimension from counter-sunk screw hole to counter-sunk screw hole is 12".

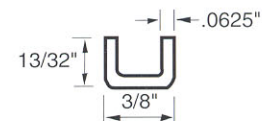
Stock Finish:
Brillatone (Zinc).

No. 38 Standard



Part Number	Length	Packed/Ctn.	Wt./Ea.
38-6	6'	25	1 Lb.
38-8	8'	25	1 ¼ Lbs.
38-12	12'	25	2 Lbs.

Use #6 Screw.



Application:
Primarily for flush mount in loose fixtures and back islands.

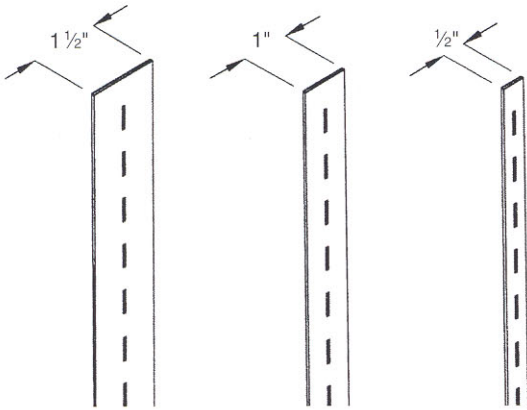
Features:
Narrow ¾" face. On center dimension from counter-sunk screw hole to counter-sunk screw hole is 6".

Stock Finish:
Brillatone (Zinc).

All items can be made-to-order in a wide variety of plated or powder coated finishes and/or custom lengths.

No. 401 Slotted Strip

Part Number	Length
401-X	Made-to-order



Application:
Loose fixtures, back islands, and office cubicles.

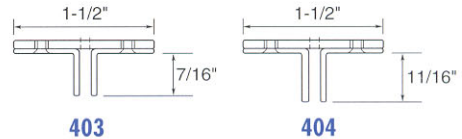
Features:
14-gauge or 16-gauge steel.
Single slotted strip with or without screw holes.
Made-to-order at any length up to 10'.

Stock Finish:
Made-to-Order.

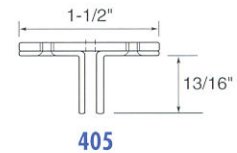
No. 403/404/405 Standard

Part Number	Length	Packed/Ctn.	Wt./Ea.
403-6	6'	16	5 Lbs.
403-8	8'	16	6 Lbs.
404-6	6'	12	5 Lbs.
404-8	8'	12	7 Lbs.
405-6	6'	10	5 Lbs.
405-8	8'	10	7 Lbs.

Use screw #10.



*Can be ordered to exact length required at no extra charge.



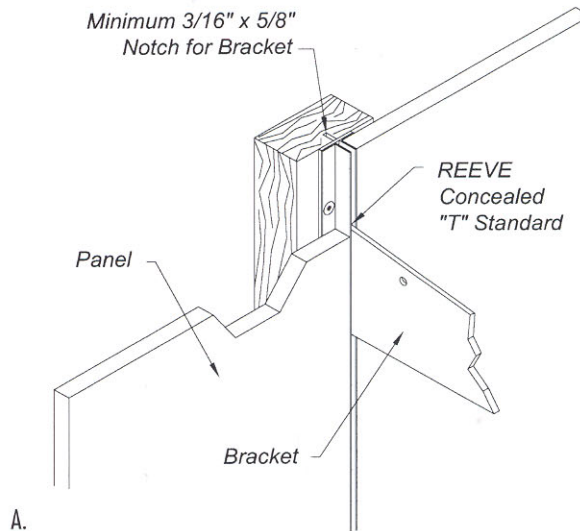
Application:
Loose fixtures and perimeters.

Refer to below or Section I for Installation Instructions.

Features:
14-gauge steel. On center dimension from counter-sunk screw hole to counter-sunk screw hole is 6" staggered side-to-side.

Stock Finish:
Brillatone (Zinc) and P51 Black Powder Coat.

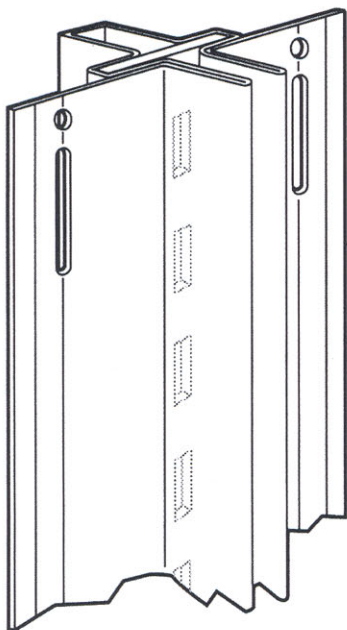
All recessed/concealed "T"-standards should be mounted right side up as shown by the "top" stamp. Before mounting, line up each standard using the bottom of each bottom slot as the guide. Once aligned, make sure to fasten to a secure wall stud (or equivalent blocking) using appropriate screws (see Drawing A). Make sure to utilize each screw hole. Please note that a minimum 3/16" by 5/8" notch is required in the stud or blocking to allow installation of brackets.



All items can be made-to-order in a wide variety of plated or powder coated finishes and/or custom lengths.

No. 400 Concealed Standard/Stud

Part Number	Length	Approx. Wt./Ea.
400-SX6 (1/2")	6'	1.27 Lbs./Lin. Ft.
400-SX8 (1/2")	8'	1.27 Lbs./Lin. Ft.
400-LX6 (5/8")	6'	1.27 Lbs./Lin. Ft.
400-LX8 (5/8")	8'	1.27 Lbs./Lin. Ft.
400-DX6 (1")	6'	1.27 Lbs./Lin. Ft.
400-DX8 (1")	8'	1.27 Lbs./Lin. Ft.

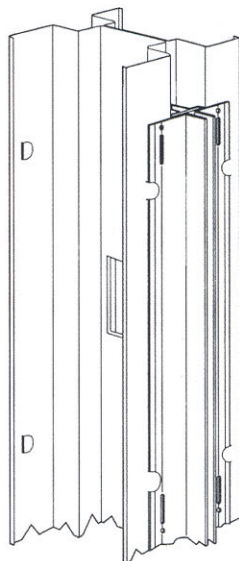


Application:

For moderate loads. Designed for use between your studs or with #510 stud.

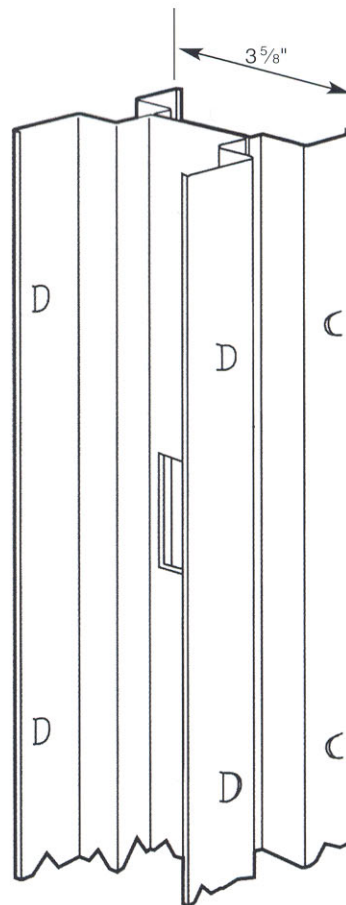
Features:

Available for 1/2", 5/8" or 1" Wallboard.
 .080" thick slotted steel plate enclosed within roll formed 22-gauge galvanized steel.



Part Number	Length	Approx. Wt./Ea.
510	Specify"	1.02 Lbs./Lin. Ft.

* Order to required length.



Application:

Designed for use with #400 Standard.

Features:

Comes assembled with # 1000 25-gauge galvanized steel.

All items can be made-to-order in a wide variety of plated or powder coated finishes and/or custom lengths.

No. 41 Shelf Bracket

Application:

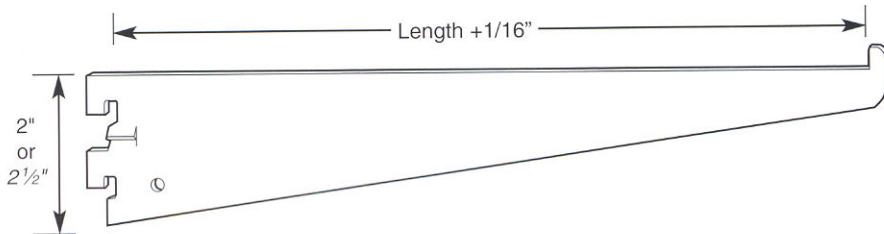
General purpose glass or wood shelf bracket.
See page 1.9 for shelf rests.

Features:

Stabilizer reduces sway. .080" thick tempered steel.

Stock Finish:

Brillatone (Satin Zinc) and Brass.



Part Number	Length	Packed/Ctn.	Wt./Ctn.
41-4	4"	24	3 Lbs.
41-6	6"	24	4 1/2 Lbs.
41-8	8"	24	6 Lbs.
41-10	10"	24	7 1/2 Lbs.
41-12	12"	24	9 Lbs.
41-14	14"	24	12 Lbs.
41-16	16"	24	13 1/2 Lbs.
41-18	18"	24	15 Lbs.
41-20	20"	24	17 Lbs.

No. 42 Shelf Bracket

Application:

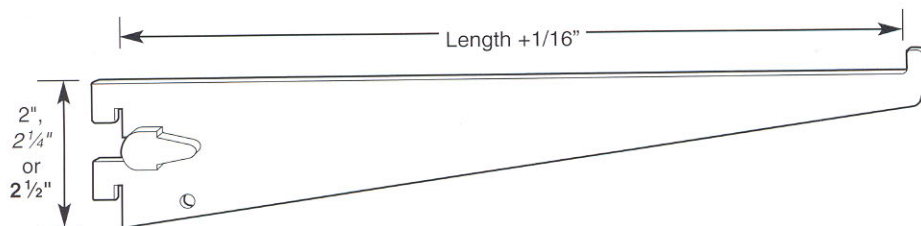
For use with glass or wood shelves.
Fits 14-gauge standards. See page 1.9 for shelf rests.

Features:

Plastic Camlock reduces sway. .080" thick tempered steel.

Stock Finish:

Brillatone (Satin Zinc).



Part Number	Length	Packed/Ctn.	Wt./Ctn.
42-4	4"	12	2 Lbs.
42-6	6"	12	2 1/4 Lbs.
42-8	8"	12	3 Lbs.
42-10	10"	12	3 3/4 Lbs.
42-12	12"	12	4 1/2 Lbs.
42-14	14"	12	6 Lbs.
42-16	16"	12	3 3/4 Lbs.

* Plastic Camlock can be removed in order for bracket to fit recessed "T" standards.

No. 43 Shelf Bracket (Adjustable Downslant)

Application:

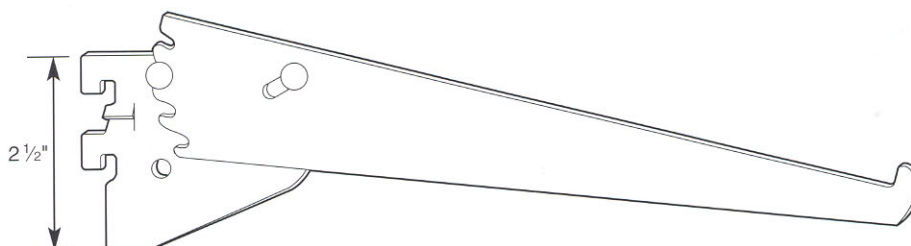
For use with glass or wood shelves.

Features:

Downslant of 7°, 15°, 30° and 45° (and straight) on 8" - 12" Brackets.
Downslant of 7°, 15°, 30°, 45°, and 60° (and straight) on 14" and 16" Brackets.
Tempered steel. Stabilizer reduces sway.

Stock Finish:

Brillatone (Satin Zinc) and Brass.



Part Number	Length	Packed/Ctn.	Wt./Ctn.
43-8	8"	12	3 1/2 Lbs.
43-10	10"	12	4 1/2 Lbs.
43-12	12"	12	5 Lbs.
43-14	14"	12	7 Lbs.
43-16	16"	12	7 3/4 Lbs.

All items can be made-to-order in a wide variety of plated or powder coated finishes and/or custom lengths.

No. 31 Shelf Bracket

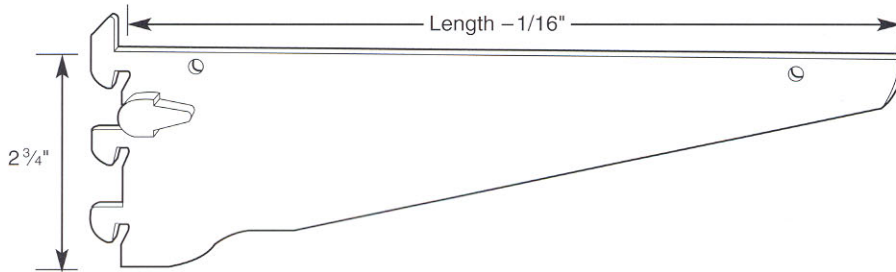
Application:

For use with glass or wood shelves.
Fits 14-gauge standards. See page 1.10 for shelf rest clips.

Features:

Plastic Camlock reduces sway. Uphook at standard for added stability and safety. .085" thick tempered steel.

Stock Finish: Brillatone (Satin Zinc).



Part Number	Length	Packed/Ctn.	Wt./Ctn.
31-10	10"	12	7 1/2 Lbs.
31-12	12"	12	9 Lbs.
31-14	14"	12	12 Lbs.
31-16	16"	12	13 1/2 Lbs.
31-18	18"	12	15 Lbs.
31-20	20"	12	17 Lbs.

* Plastic Camlock can be removed in order for bracket to fit recessed "T" standards.

No. 32 Shelf Bracket

Application:

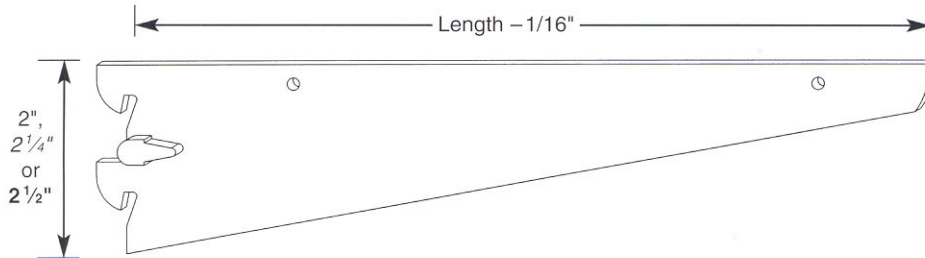
For use with glass or wood shelves.
Fits 14-gauge standards. See page 1.10 for shelf rest clips.

Features:

Plastic Camlock reduces sway. .080" thick tempered steel.

Stock Finish:

Brillatone (Satin Zinc) and Chrome.



Part Number	Length	Packed/Ctn.	Wt./Ctn.
32-6	6"	12	2 1/4 Lbs.
32-8	8"	12	3 Lbs.
32-10	10"	12	3 3/4 Lbs.
32-12	12"	12	4 1/2 Lbs.
32-14	14"	2 1/4	6 Lbs.
32-16	16"	2 1/2	3 3/4 Lbs.

* Plastic Camlock can be removed in order for bracket to fit recessed "T" standards.

No. 34 Showcase Shelf Bracket

Application:

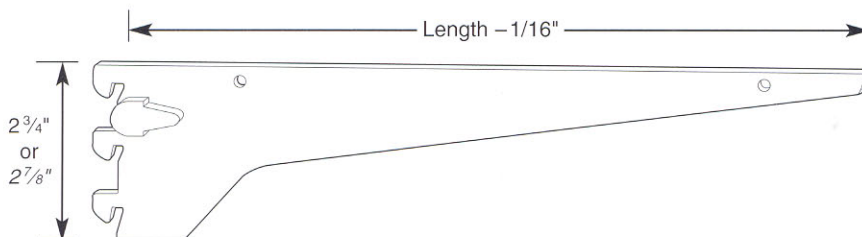
Primarily for use with glass shelves inside showcases.
See page 1.10 for shelf rest clips.

Features:

Plastic Camlock reduces sway. .080" thick tempered steel.

Stock Finish:

Brillatone (Satin Zinc) and Chrome.



Part Number	Length	Packed/Ctn.	Wt./Ctn.
34-10	10"	12	9 Lbs.
34-12	12"	12	9 1/2 Lbs.
34-14	14"	12	12 Lbs.
34-16	16"	12	13 1/2 Lbs.
34-18	18"	12	15 Lbs.

* Plastic Camlock can be removed in order for bracket to fit recessed "T" standards.

All items can be made-to-order in a wide variety of plated or powder coated finishes and/or custom lengths.

No. 45 Shelf Bracket (Upslant)

Application:

For use with picture frames and similar merchandise.

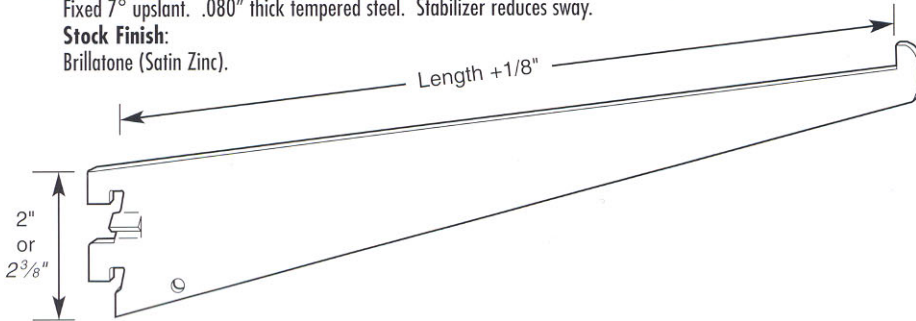
Features:

Fixed 7° upslant. .080" thick tempered steel. Stabilizer reduces sway.

Stock Finish:

Brillatone (Satin Zinc).

Part Number	Length	Packed/Ctn.	Wt./Ea.
45-8	8"	24	7 Lbs.
45-10	10"	24	7 ½ Lbs.
45-12	12"	24	9 Lbs.
45-14	14"] 2 ³ / ₈ "	24	12 Lbs.



No. 46 Shelf Bracket (Downslant)

Application:

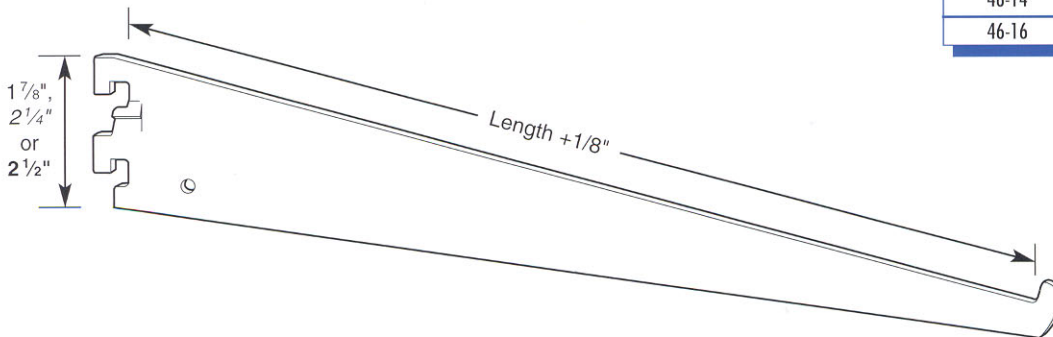
Designed for use with glass or wood shelves.

Features:

Fixed 15° Downslant. .080" thick tempered steel. Stabilizer reduces sway.

Stock Finish: Brillatone (Satin Zinc) and Brass.

Part Number	Length	Packed/Ctn.	Wt./Ea.
46-8	8"	24	6 Lbs.
46-10	10"	24	7 Lbs.
46-12	12"	24	8 ½ Lbs.
46-14	14"] 2 ¹ / ₄ "	24	12 Lbs.
46-16	16"] 2 ¹ / ₂ "	24	14 Lbs.



No. 680 Hangrod Bracket

Application:

For use with 745, 746, and 845 snap-on hangrod adapters, glass, or wood shelves.

See page 1.10 for shelf rest clips.

Features:

.085" thick tempered steel. Ribbed for extra strength on 12", 14", and 16".

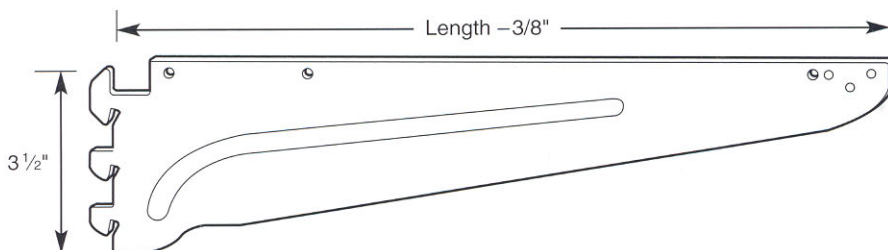
Uphook at standard for additional stability and safety.

Stock Finish:

Brillatone (Satin Zinc).

Part Number	Length	Packed/Ctn.	Wt./Ea.
680-10	10"	12	8 ¾ Lbs.
680-12	12"	12	10 ¼ Lbs.
680-14	14"	12	11 ¾ Lbs.
680-16	16"	12	13 ½ Lbs.

*Can be made to order with Plastic Camlock to reduce sway.



All items can be made-to-order in a wide variety of plated or powder coated finishes and/or custom lengths.

No. 61 Shelf Bracket

Application:

For use with #5400 metal shelves or wood shelves.

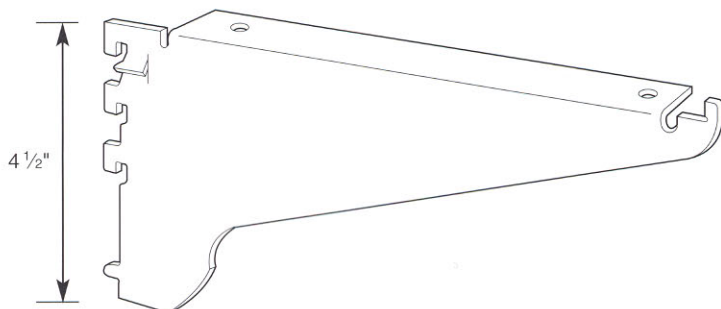
Features:

.085" thick tempered steel. Stabilizer reduces sway.

Stock Finish: Brillatone (Satin Zinc).

Note: Flange style brackets are all available in left and right options. Designate "R" or "L" when ordering. Bracket shown is a left.

Part Number	Length	Packed/Ctn.	Wt./Ctn.
61-R/L-8	8"	12	7 Lbs.
61-R/L-10	10"	12	8 ¾ Lbs.
61-R/L-12	12"	12	10 ¼ Lbs.
61-R/L-14	14"	12	11 ¾ Lbs.
61-R/L-16	16"	12	13 ½ Lbs.
61-R/L-18	18"	12	16 ¼ Lbs.
61-R/L-22	22"	12	22 Lbs.



No. 63 Shelf Bracket (Adjustable Downslant)

Application:

For use with #5400 metal shelves or wood shelves.

Features:

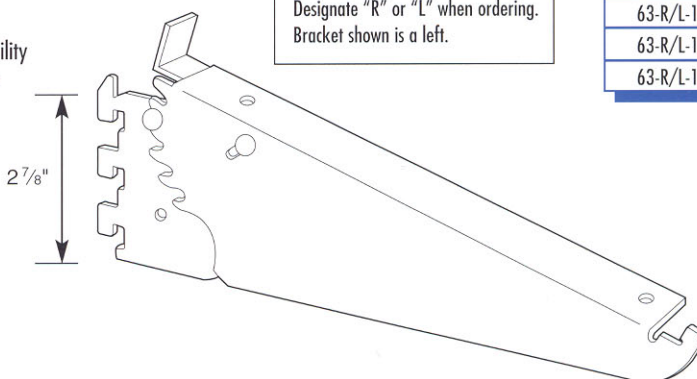
Up-hook at standard for added stability and safety. Tempered Steel. Can be adjusted to Straight, 7°, 15°, 30°, 45°, or 60° Downslant.

Stock Finish:

Brillatone (Satin Zinc).

Note: Flange style brackets are all available in left and right options. Designate "R" or "L" when ordering. Bracket shown is a left.

Part Number	Length	Packed/Ctn.	Wt./Ctn.
63-R/L-10	10"	12	9 ½ Lbs.
63-R/L-12	12"	12	10 ¾ Lbs.
63-R/L-14	14"	12	12 ½ Lbs.
63-R/L-16	16"	12	14 ¼ Lbs.



No. 43-S Stub Shelf Bracket

Application:

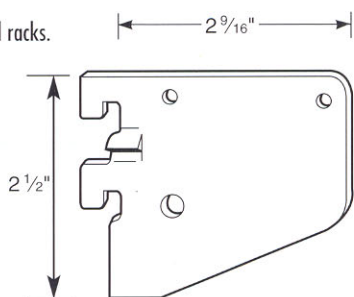
Tube frames, loose fixtures, and racks.

Features:

Stabilizer reduces sway. .080" thick tempered steel.

Stock Finish:

Brillatone (Satin Zinc).



Part Number	Packed/Ctn.	Wt./Ctn.
43-S	24	4 Lbs.

No. 7370 Shelf Bracket

Application:

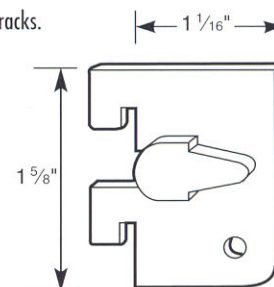
Tube frames, loose fixtures and racks.

Features:

Plastic Camlock reduces sway. .075" thick tempered steel.

Stock Finish:

Chrome and Brass.



Part Number	Packed/Ctn.	Wt./Ctn.
7370-BKT	12	2 Lbs.

All items can be made-to-order in a wide variety of plated or powder coated finishes and/or custom lengths.

No. 81 Wood Shelf Bracket

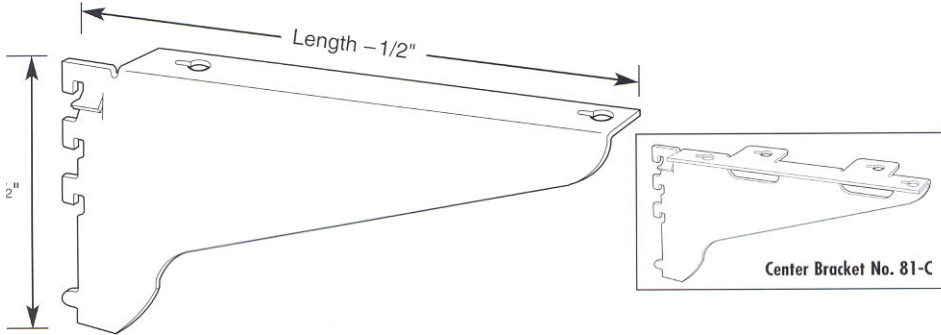
Application:
For use with wood shelves.

Features:
Keyhole slots for wood shelf mounting. .085" thick tempered steel. Stabilizer reduces sway.

Stock Finish: Brillatone (Satin Zinc) and Brass.

Note: Flange style brackets are all available in left and right options. Designate "R" or "L" when ordering. Bracket shown is a left.

Part Number	Length	Packed/Ctn.	Wt./Ctn.
81-R/L-5	5"	12	3 Lbs.
81-R/L-8	8"	12	7 Lbs.
81-R/L-10	10"	12	8 ¾ Lbs.
81-R/L-12	12"	12	10 ¼ Lbs.
81-R/L-14	14"	12	11 ¾ Lbs.
81-R/L-16	16"	12	13 ½ Lbs.
81-R/L-18	18"	12	16 ¼ Lbs.
81-R/L-20	20"	12	19 Lbs.
81-R/L-22	22"	12	22 Lbs.
81-R/L-24	24"	12	24 Lbs.



Available in center bracket configuration for 10"-22" lengths.

No. 82 Wood Shelf Bracket (Downslant)

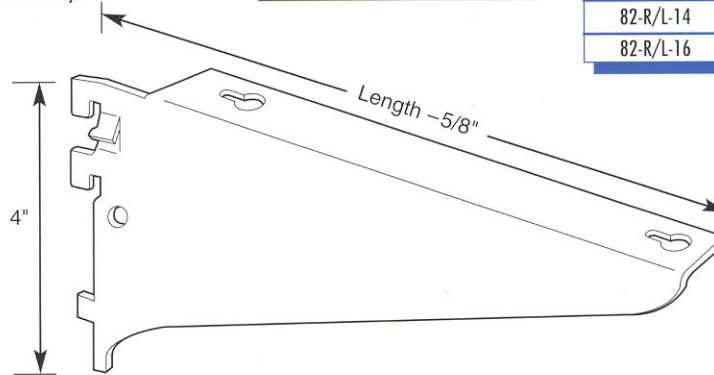
Application:
For use with wood shelves.

Features:
Fixed 15° downslant. Keyhole slots for wood shelf mounting. .085" thick tempered steel. Stabilizer reduces sway.

Stock Finish: Brillatone (Satin Zinc).

Note: Flange style brackets are all available in left and right options. Designate "R" or "L" when ordering. Bracket shown is a left.

Part Number	Length	Packed/Ctn.	Wt./Ctn.
82-R/L-8	8"	12	7 Lbs.
82-R/L-10	10"	12	9 Lbs.
82-R/L-12	12"	12	10 ½ Lbs.
82-R/L-14	14"	12	12 Lbs.
82-R/L-16	16"	12	14 ⅓ Lbs.



No. 83 Wood Shelf Bracket (Adjustable Downslant)

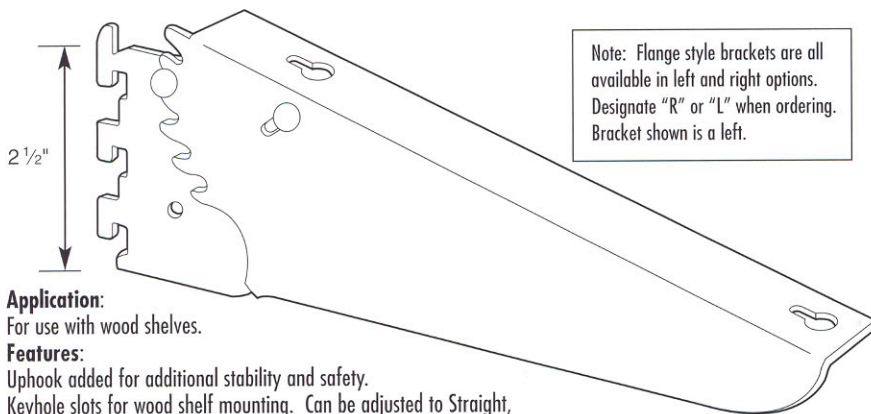
Application:
For use with wood shelves.

Features:
Uphook added for additional stability and safety. Keyhole slots for wood shelf mounting. Can be adjusted to Straight, 7°, 15°, 30°, 45°, and 60° downslant. Tempered Steel.

Stock Finish: Brillatone (Satin Zinc).

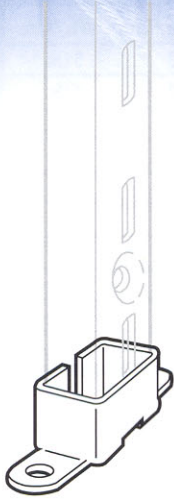
Note: Flange style brackets are all available in left and right options. Designate "R" or "L" when ordering. Bracket shown is a left.

Part Number	Length	Packed/Ctn.	Wt./Ctn.
83-R/L-8	8"	12	8 Lbs.
83-R/L-10	10"	12	9 ½ Lbs.
83-R/L-12	12"	12	10 ¾ Lbs.
83-R/L-14	14"	12	12 ½ Lbs.
83-R/L-16	16"	12	14 ¼ Lbs.



All items can be made-to-order in a wide variety of plated or powder coated finishes and/or custom lengths.

No. 49-B Footpiece



Part Number	Packed/Ctn.	Wt./Ctn.
49-B	100	2 Lbs.

Application:
For showcase installation with No. 40 standard.

Features:
Screw tabs for ease of installation.

Stock Finish:
Brillatone (Zinc) and Brass.

No. 49-T Top Cap



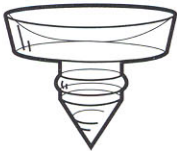
Part Number	Packed/Ctn.	Wt./Ctn.
49-T	100	2 Lbs.

Application:
For showcase installation with No. 40 standard.

Features:
Screw tabs for ease of installation.

Stock Finish:
Brillatone (Zinc) and Brass.

No. 4-P Plastic Cushion (Clear)



Part Number	Packed/Ctn.	Wt./Ctn.
4-P	100	1 Lb.

Application:
For use with glass or wood shelves in shelf rests.

Features:
Suction surface holds glass in place. Clear lexan plastic.

No. 4 Rubber Cushion (Gray)

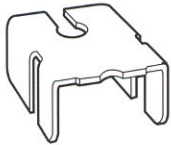


Part Number	Packed/Ctn.	Wt./Ctn.
4	100	1 Lb.

Application:
For use with glass or wood shelves in shelf rests.

Features:
Suction surface holds glass in place. Gray rubber.

No. 43-1 Shelf Rest



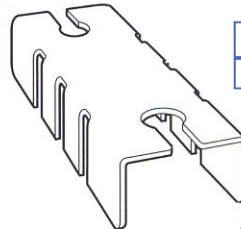
Part Number	Packed/Ctn.	Wt./Ctn.
43-1	144	1 Lb.

Application:
For left or right end use on brackets to stabilize glass shelves.

Features:
No. 4 rubber suction cushions are included to secure glass shelves.

Stock Finish:
Brillatone (Zinc).

No. 43-2 Shelf Rest



Part Number	Packed/Ctn.	Wt./Ctn.
43-1	144	1 Lb.

Application:
For use with center and double brackets to stabilize glass shelves.

Features:
No. 4 rubber suction cushions are included to secure glass shelves.

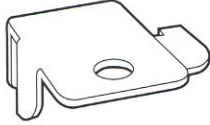
Stock Finish:
Brillatone (Zinc).

All items can be made-to-order in a wide variety of plated or powder coated finishes.

Shelf Rest Clips

No. 743-L Shelf Rest (Left)

Part Number	Packed/Ctn.	Wt./Ctn.
743-L	144	4 Lbs.



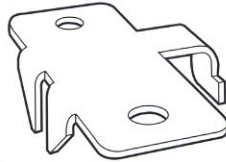
Application:
Use with shelf brackets with mounting holes. Designed for flush fit with bracket and shelf.

Features:
Swivel-lock. Gray rubber suction cushions are included to secure glass shelves.

Stock Finish:
Brillatone (Zinc).

No. 743-C Shelf Rest (Center)

Part Number	Packed/Ctn.	Wt./Ctn.
743-C	144	6 Lbs.



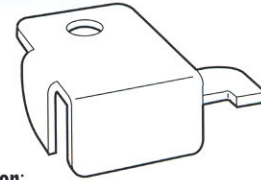
Application:
Use with shelf brackets with mounting holes. Designed for center brackets and at ends with shelf overhang.

Features:
Swivel-lock. Gray rubber suction cushions are included to secure glass shelves.

Stock Finish:
Brillatone (Zinc).

No. 743-R Shelf Rest (Right)

Part Number	Packed/Ctn.	Wt./Ctn.
743-R	144	4 Lbs.



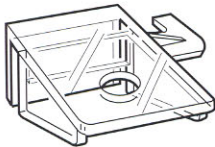
Application:
Use with shelf brackets with mounting holes. Designed for flush fit with bracket and shelf.

Features:
Swivel-lock. Gray rubber suction cushions are included to secure glass shelves.

Stock Finish:
Brillatone (Zinc).

No. 743-P-L Shelf Rest (Left)

Part Number	Packed/Ctn.	Wt./Ctn.
743-P-L	144	2 Lbs.

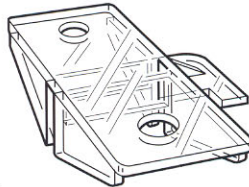


Application:
Made of clear lexan plastic for use with special finish brackets to maintain a clean profile.

Features:
Swivel-lock. Clear suction cushions are included to secure glass shelves.

No. 743-P-C Shelf Rest (Center)

Part Number	Packed/Ctn.	Wt./Ctn.
743-P-C	144	3 Lbs.

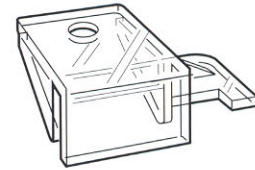


Application:
Made of clear lexan plastic for use with special finish brackets to maintain a clean profile. Designed for center brackets and at ends with shelf overhang.

Features:
Swivel lock. Clear suction cushions are included to secure glass shelves.

No. 743-P-R Shelf Rest (Right)

Part Number	Packed/Ctn.	Wt./Ctn.
743-P-R	144	2 Lbs.

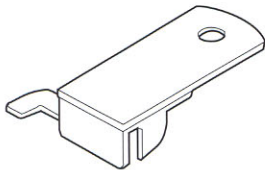


Application:
Made of clear lexan plastic for use with special finish brackets to maintain a clean profile.

Features:
Swivel lock. Clear suction cushions are included to secure glass shelves.

No. W-743-L Shelf Rest (Left)

Part Number	Packed/Ctn.	Wt./Ctn.
W-743-L	144	5 Lbs.



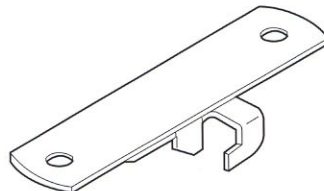
Application:
Double width for added safety. Designed for flush fit with bracket and shelf.

Features:
Swivel-lock. Gray rubber suction cushions are included to secure glass shelves.

Stock Finish:
Brillatone (Zinc).

No. W-743-C Shelf Rest (Center)

Part Number	Packed/Ctn.	Wt./Ctn.
W-743-C	144	6 Lbs.



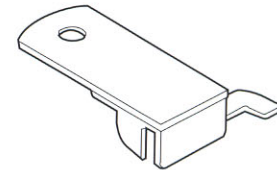
Application:
Double width for added safety. Designed for center brackets and at ends with shelf overhang.

Features:
Swivel-lock. Gray rubber suction cushions are included to secure glass shelves.

Stock Finish:
Brillatone (Zinc).

No. W-743-R Shelf Rest (Right)

Part Number	Packed/Ctn.	Wt./Ctn.
W-743-R	144	5 Lbs.



Application:
Double width for added safety. Designed for flush fit with bracket and shelf.

Features:
Swivel-lock. Gray rubber suction cushions are included to secure glass shelves.

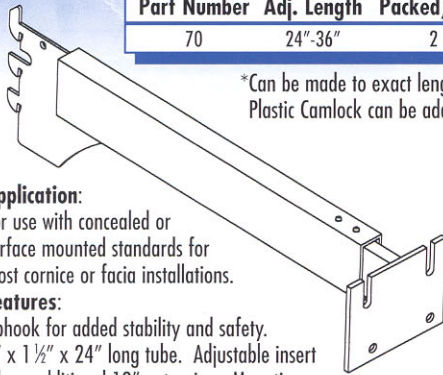
Stock Finish:
Brillatone (Zinc).

Some items can be made-to-order in a wide variety of plated or powder coated finishes.

No. 70 Cornice Bracket

Part Number	Adj. Length	Packed/Ctn.	Wt./Ctn.
70	24"-36"	2	8 1/2 Lbs.

*Can be made to exact length required.
Plastic Camlock can be added to reduce sway.



Application:

For use with concealed or surface mounted standards for most cornice or fascia installations.

Features:

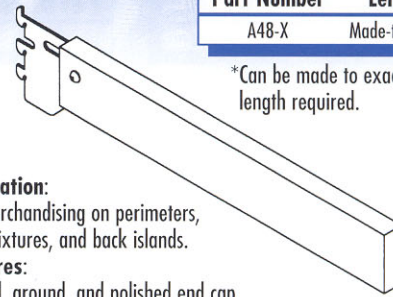
Uphook for added stability and safety.
1" x 1 1/2" x 24" long tube. Adjustable insert allows additional 12" extension. Mounting plate has convenient pre-punched mounting holes.

Stock Finish: Brillatone (Satin Zinc).

No. A48 Adjustable Gusset Faceout

Part Number	Length
A48-X	Made-to-order

*Can be made to exact length required.



Application:

For merchandising on perimeters, loose fixtures, and back islands.

Features:

Welded, ground, and polished end cap.
Tab or flush end cap available.
Adjustable gusset allows for flush installation.

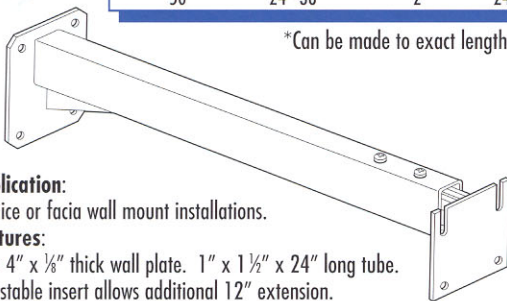
Stock Finish:

Made-to-order.

No. 50 Cornice Bracket

Part Number	Adj. Length	Packed/Ctn.	Wt./Ctn.
50	24"-36"	2	24 3/4 Lbs.

*Can be made to exact length required.



Application:

Cornice or fascia wall mount installations.

Features:

3" x 4" x 1/8" thick wall plate. 1" x 1 1/2" x 24" long tube.
Adjustable insert allows additional 12" extension.
Mounting plate has convenient pre-punched mounting holes.

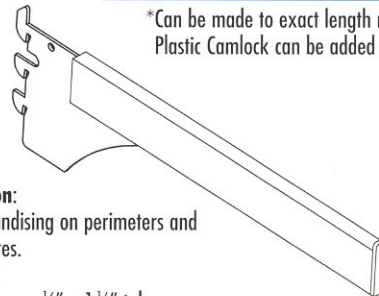
Stock Finish:

Brillatone (Satin Zinc).

No. V48 Straight Faceout

Part Number	Length	Packed/Ctn.	Wt./Ctn.
V48-12	12"	12	15 Lbs.

*Can be made to exact length required.
Plastic Camlock can be added to reduce sway.



Application:

For merchandising on perimeters and loose fixtures.

Features:

Plastic end cap. 1/2" x 1 1/2" tube.

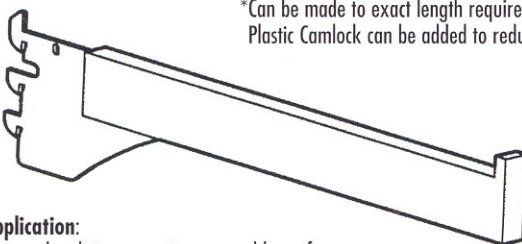
Stock Finish:

Value Line Chrome.

No. 48 Straight Faceout

Part Number	Length	Packed/Ctn.	Wt./Ctn.
48-6	6"	12	6 Lbs.
48-12	12"	12	15 Lbs.

*Can be made to exact length required.
Plastic Camlock can be added to reduce sway.



Application:

For merchandising on perimeters and loose fixtures.

Features:

Welded, ground, and polished end cap. 1/2" x 1 1/4" tube.
Flush end cap available.

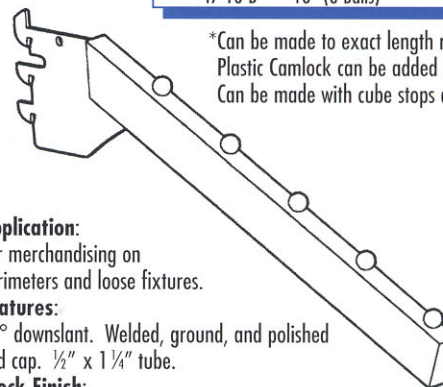
Stock Finish:

Polished Chrome.

No. 47 Waterfall Faceout

Part Number	Length	Packed/Ctn.	Wt./Ctn.
47-12-B	12" (5 Balls)	12	15 Lbs.
47-16-B	16" (6 Balls)	12	17 Lbs.

*Can be made to exact length required.
Plastic Camlock can be added to reduce sway.
Can be made with cube stops also.



Application:

For merchandising on perimeters and loose fixtures.

Features:

30° downslant. Welded, ground, and polished end cap. 1/2" x 1 1/4" tube.

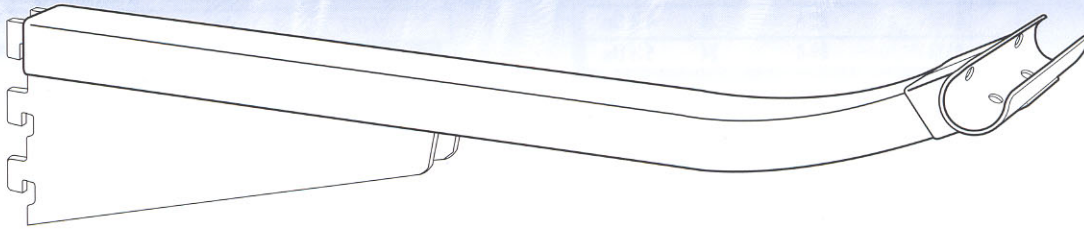
Stock Finish:

Polished Chrome.

All items can be made-to-order in a wide variety of plated or powder coated finishes and/or custom lengths.

Hangrod Brackets

No. 71 Hangrod Bracket (Fits Universal Series)



Application:

Designed for use on double slotted Universal Series standard.

Features:

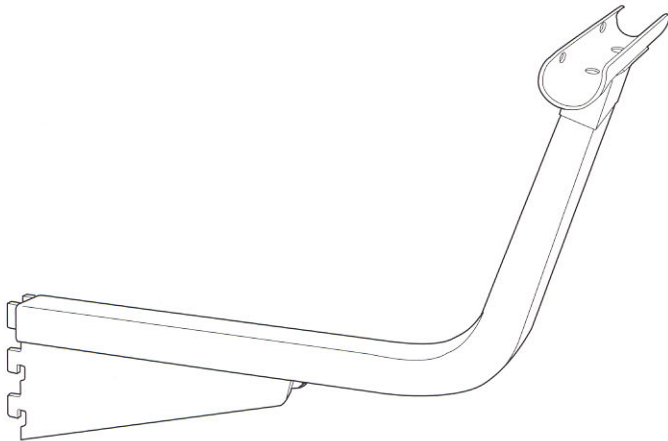
Double bracket and tube design adds strength.

Stock Finish:

Chrome and Brass.

Part Number	Size	Length	Pack/Ctn.	Wt./Ctn.
71-A-12	For 1 1/16" Rod	12"	6	8 1/2 Lbs.
71-A-14	For 1 1/16" Rod	14"	6	9 1/2 Lbs.
71-B-12	For 1 5/16" Rod	12"	6	8 3/4 Lbs.
71-B-14	For 1 5/16" Rod	14"	6	9 1/4 Lbs.

No. 73 Hangrod Bracket (Fits Universal Series)



Part Number	Size	Length	Pack/Ctn.	Wt./Ctn.
73-A	For 1 1/16" Rod	12"	6	11 1/2 Lbs.
73-B	For 1 5/16" Rod	12"	6	11 1/2 Lbs.

Application:

Designed to raise product above top of standard for increased capacity. Use on double slotted Universal Series standard.

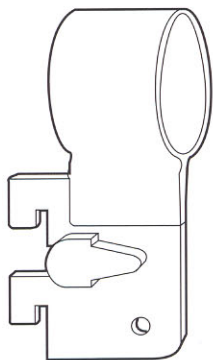
Features:

Elevated 12" above bracket.

Stock Finish:

Chrome.

No. 93-A Hangrod Bracket (Fits Universal Series)



Application:

Designed as end mount bracket for No. 89-A Hangrod.

Features:

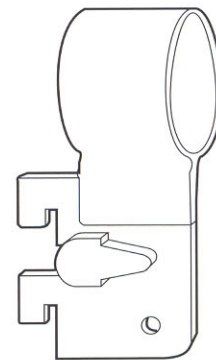
Plastic Camlock for added stability and safety.

Stock Finish:

Chrome.

Part Number	Packed/Ctn.	Wt./Ctn.
93-A	24	3 Lbs.

No. 93-B Hangrod Bracket (Fits Universal Series)



Application:

Designed as end mount bracket for No. 89-B Hangrod.

Features:

Plastic Camlock for added stability and safety.

Stock Finish:

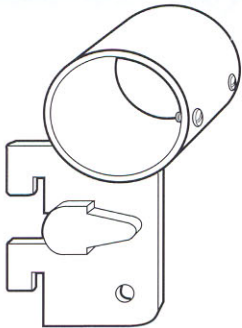
Chrome.

Part Number	Packed/Ctn.	Wt./Ctn.
93-B	24	3 1/4 Lbs.

All items can be made-to-order in a wide variety of plated or powder coated finishes and/or custom lengths.

No. 8537 and No. 8538 Hangrod Bracket

Part Number	Fits Hangrod	Pack	Wt./Ctn.
8537	89-A	24	4 ½ Lbs.
8538	89-B	24	5 ½ Lbs.



Application:
Use for side-mount on outrigger standards.

Features:
Set-screws to lock one or two pieces of hangrod.

Stock Finish:
Chrome.

No. V425-2 Hangrod Bracket

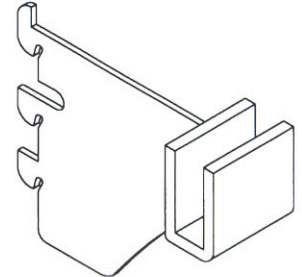
Part Number	Length	Packed/Ctn.	Wt./Ctn.
V425-2	2"	12	7 Lbs.

*Can add Plastic Camlock to reduce sway.

Application:
Fits Universal Line.
Designed for use with No. 225 hangrod and faceouts.

Features:
¾" thick saddle. Uphook for added strength and stability.

Stock Finish:
Value Line Chrome.



No. V465-12 Hangrod Bracket

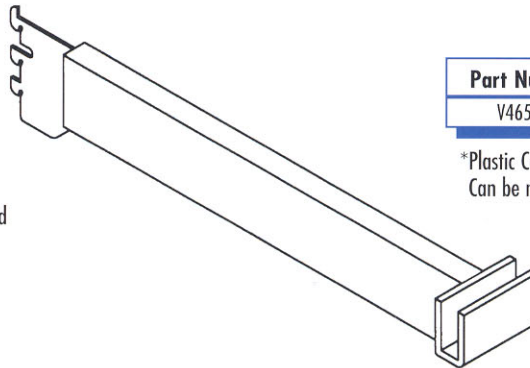
Part Number	Length	Packed/Ctn.	Wt./Ctn.
V465-12	12"	12	15 Lbs.

*Plastic Camlock can be added to reduce sway.
Can be made to exact length required.

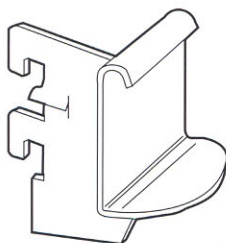
Application:
Designed for use with No. 225 Hangrod and Universal Series standards.

Features:
¾" thick saddle. ½" x 1 ½" tube.

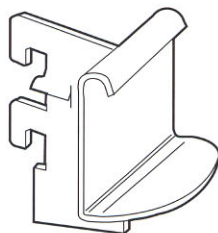
Stock Finish:
Value Line Chrome.



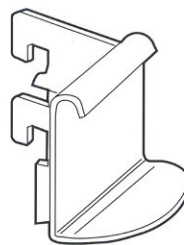
No. 1225 Bracket



No. 1225 Left



No. 1225 Center



No. 1225 Right

Application:
For use with No. 1225 Crossbar.

Features:
Snap-in clip.

Stock Finish:
Chrome.

Part Number	Length	Packed/Ctn.	Wt./Ctn.
1225-L/C/R-1	1"	12	1 Lb.
1225-L/C/R-2	2"	12	1 ½ Lbs.
1225-L/C/R-6	6"	12	3 ¼ Lbs.
1225-L/C/R-10	10"	12	5 ¼ Lbs.

All items can be made-to-order in a wide variety of plated or powder coated finishes and/or custom lengths.