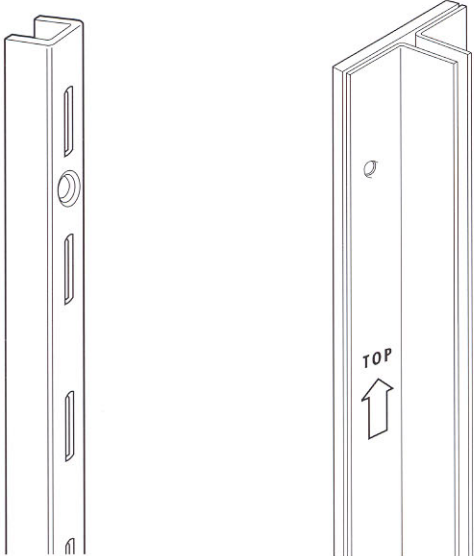


Section 2

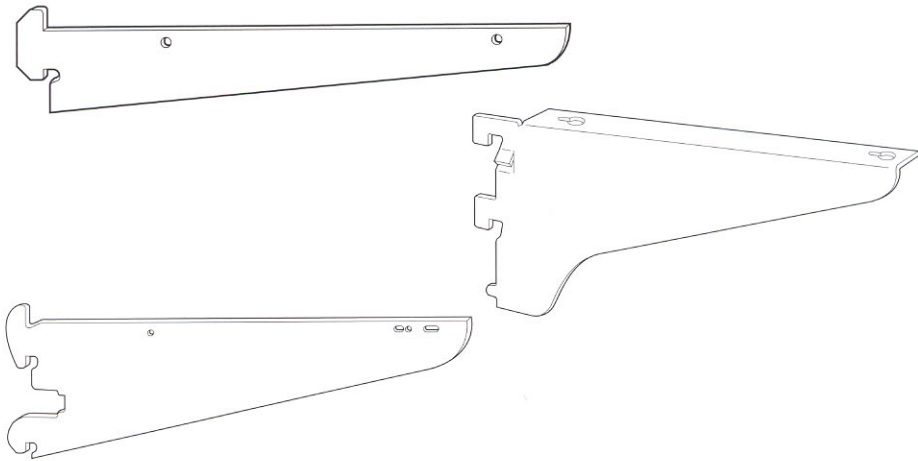
700 Line



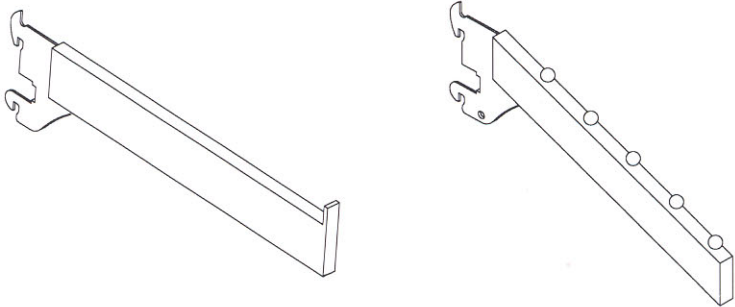
STANDARDS



BRACKETS

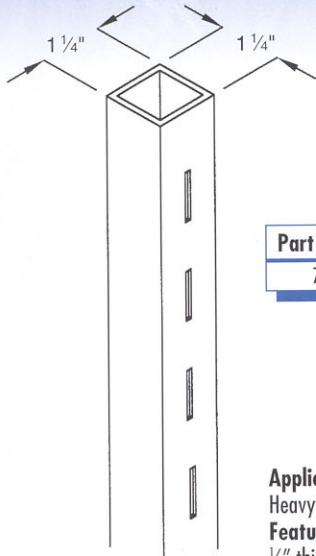


FACEOUTS



700 Line Slotting has 1" long slots at 2" On Center (Heavy Duty 1/8" thick material)

No. 784 1 1/4" Square Tube – Standard



Part Number	Length
784-X	Made-to-order

Application:
Heavy duty welded frames and outriggers.
Features:
1/8" thick steel, single slotted.
Available slotted on 1, 2, or 3 sides.
Stock Finish:
Made-to-Order.

No. 780 1" x 2" Tube – Standard



Part Number	Length
780-X	Made-to-order

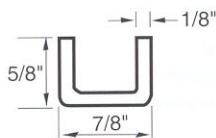
Application:
Heavy duty welded frames and outriggers.
Features:
1/8" thick steel, single slotted.
Available slotted on 1 or both 1" sides.
Stock Finish:
Made-to-Order.

No. 700 Standard



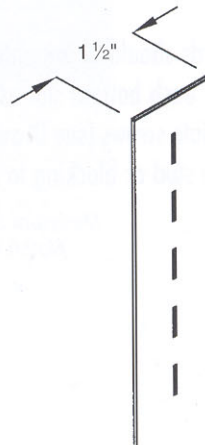
Part Number	Length	Packed/Ctn.	Wt./Ea.
700-4	4'	10	3 Lbs.
700-5	5'	10	3 3/4 Lbs.
700-6	6'	10	4 1/2 Lbs.
700-7	7'	10	5 3/4 Lbs.
700-8	8'	10	6 Lbs.
700-10	10'	10	7 1/2 Lbs.
700-12	12'	10	9 Lbs.

Use #14 Screw.



Application:
Heavy duty wall standard.
Features:
1/8" thick steel. On center dimension from counter-sunk screw hole to counter-sunk screw hole is 12".
Stock Finish:
Brillatone (Satin Zinc) and Polished Chrome.

No. 701 Slotted

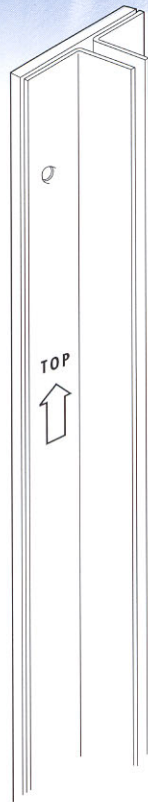


Part Number	Length
701-X	Made-to-order

Application:
Loose fixtures and back islands.
Features:
1/8" thick steel. Single slotted strip with or without screw holes. Made-to-order at any length up to 10'.
Stock finish:
Made-to-Order.

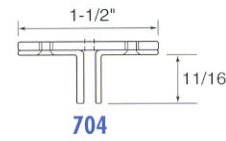
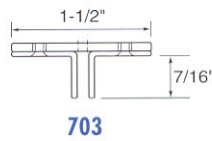
All items can be made-to-order in a wide variety of plated or powder coated finishes and/or custom lengths.

No. 703/704/705 Standard

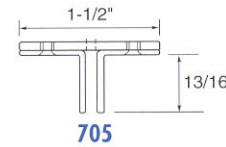


Part Number	Length	Packed/Ctn.	Wt./Ea.
703-6	6'	14	6 Lbs.
703-8	8'	14	8 Lbs.
704-6	6'	10	7 Lbs.
704-8	8'	10	9 Lbs.
705-6	6'	8	7 Lbs.
705-8	8'	8	9 Lbs.

Use #10 Screw.



*Can be ordered to exact length required at no extra charge.



Application:

Loose fixtures and perimeters. Refer to below or Section I for installation instructions.

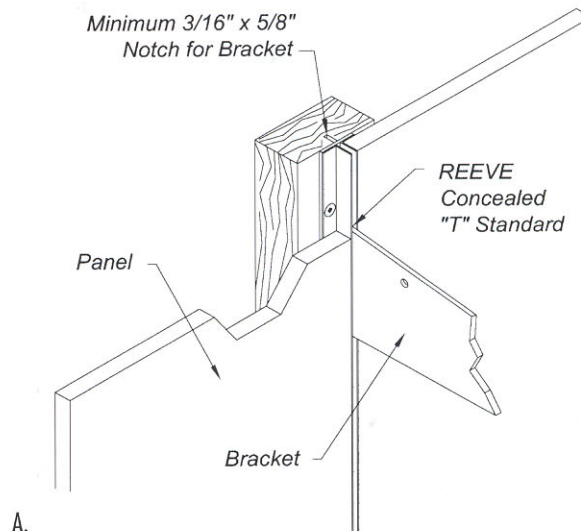
Features:

1/8" thick steel. On center dimension from counter-sunk screw hole to counter-sunk screw hole is 6" staggered side to side.

Stock Finish:

Brillatone (Zinc) and P51 Black Powder Coat.

All recessed/concealed "T"-standards should be mounted right side up as shown by the "top" stamp. Before mounting, line up each standard using the bottom of each bottom slot as the guide. Once aligned, make sure to fasten to a secure wall stud (or equivalent blocking) using appropriate screws (see Drawing A). Make sure to utilize each screw hole. Please note that a minimum 3/16" by 5/8" notch is required in the stud or blocking to allow installation of brackets.



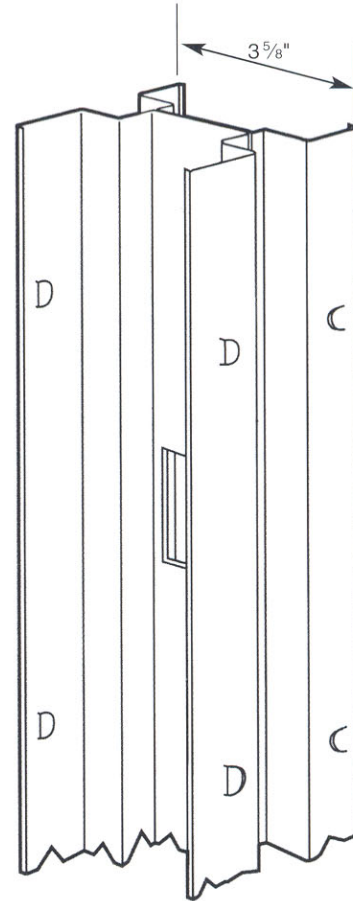
All items can be made-to-order in a wide variety of plated or powder coated finishes and/or custom lengths.

No. 1000 Concealed Standard/Stud

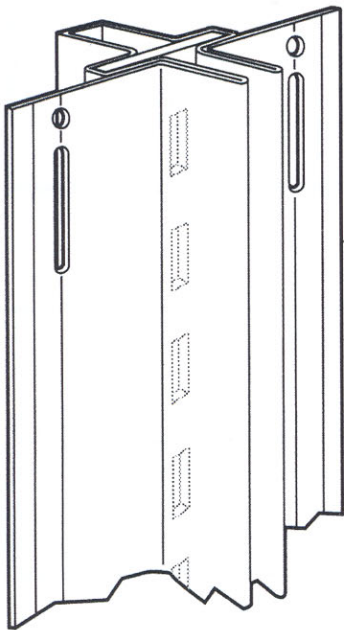
Part Number	Length	Approx. Wt./Ea.
1000-SX6 (1/2")	6'	1.27 Lbs./Lin. Ft.
1000-SX8 (1/2")	8'	1.27 Lbs./Lin. Ft.
1000-LX6 (5/8")	6'	1.27 Lbs./Lin. Ft.
1000-LX8 (5/8")	8'	1.27 Lbs./Lin. Ft.
1000-DX6 (1")	6'	1.27 Lbs./Lin. Ft.
1000-DX8 (1")	8'	1.27 Lbs./Lin. Ft.

Part Number	Length	Approx. Wt./Ea.
510	Specify"	1.02 Lbs./Lin. Ft.

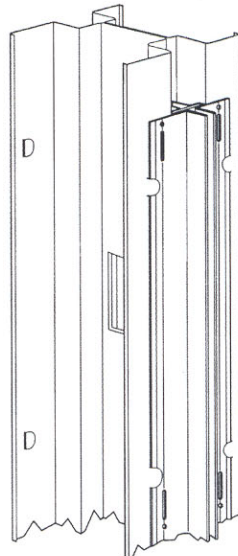
* Order to required length.



Application:
Designed to be use with #1000 Standard.
Features:
Comes assembled with # 1000 25-gauge galvanized steel.



Application:
Use between steel studs for heaviest loads.
Features:
Available for 1/2", 5/8" or 1" Wallboard.
1/8" thick slotted steel plate enclosed within roll formed 22-gauge galvanized steel.



All items can be made-to-order in a wide variety of plated or powder coated finishes and/or custom lengths.

No. 741 Shelf Bracket

Application:

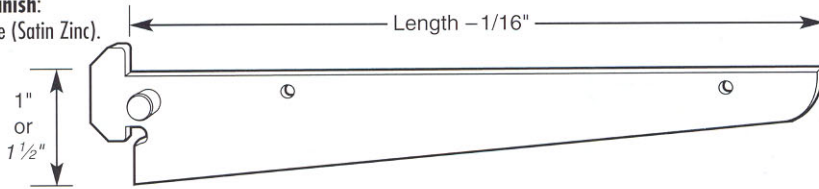
For use with surface-mounted wall standards and glass or wood shelves.
See page 2.6 for shelf rest clips.

Features:

1/8" thick tempered steel. Stabilizing pin reduces sway.

Stock Finish:

Brillatone (Satin Zinc).



Part Number	Length	Packed/Ctn.	Wt./Ctn.
741-10	10"	12	4 Lbs.
741-12	12"	12	5 1/4 Lbs.
741-14	14"	12	7 1/4 Lbs.
741-16	16"	12	8 1/4 Lbs.
741-18	18"] 1 1/2"	12	10 1/4 Lbs.

No. 742 Shelf Bracket

Application:

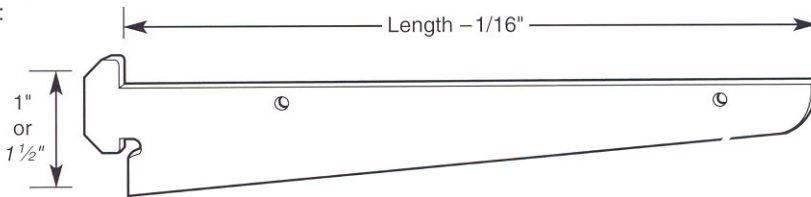
For use with concealed/recessed/"T" standards and glass or wood shelves.
See page 2.6 for shelf rest clips.

Features:

1/8" thick tempered steel.

Stock Finish:

Brillatone (Satin Zinc) and Polished Chrome.



Part Number	Length	Packed/Ctn.	Wt./Ctn.
742-8	8"	24	6 Lbs.
742-10	10"	24	8 Lbs.
742-12	12"	24	10 1/2 Lbs.
742-14	14"	24	14 1/2 Lbs.
742-16	16"	24	16 1/2 Lbs.
742-18	18"] 1 1/2"	12	20 1/2 Lbs.

No. 743 Shelf Bracket (Adjustable Downslant)

Application:

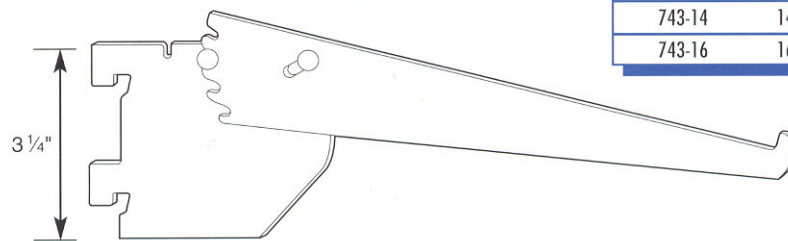
For use on perimeters and loose fixtures with downslant shelves.

Features:

Tempered Steel. Made of medium duty .080" thick material.
Downslant of 7°, 15°, 30°, 45°, 60° and straight on 8", 10" and 12" Brackets.
Downslant of 7°, 15°, 30°, 45°, 60°, and straight on 14" and 16" Brackets.

Stock Finish:

Brillatone (Satin Zinc).



Part Number	Length	Packed/Ctn.	Wt./Ctn.
743-10	10"	12	4 1/2 Lbs.
743-12	12"	12	5 Lbs.
743-14	14"	12	7 Lbs.
743-16	16"	12	7 3/4 Lbs.

No. 761 Shelf Bracket

Application:

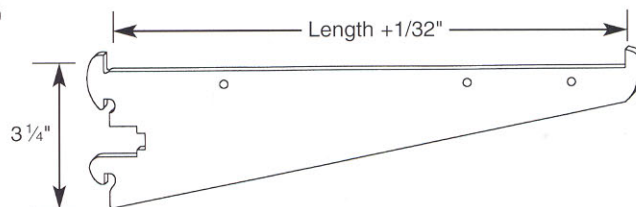
Use for heaviest loads. For use with glass or wood shelves. See page 2.6 for shelf rest clips.

Features:

1/8" thick tempered steel. Uphook for additional stability and safety.

Stock Finish:

Brillatone (Satin Zinc).



Part Number	Length	Packed/Ctn.	Wt./Ctn.
761-10	10"	24	10 Lbs.
761-12	12"	24	12 Lbs.
761-14	14"	24	14 1/2 Lbs.
761-16	16"	12	17 1/4 Lbs.
761-18	18"	12	18 1/4 Lbs.
761-20	20"	12	20 Lbs.
761-22	22"	12	22 Lbs.
761-24	24"	12	24 Lbs.

All items can be made-to-order in a wide variety of plated or powder coated finishes and/or custom lengths.

No. 762 Shelf Bracket

Application:

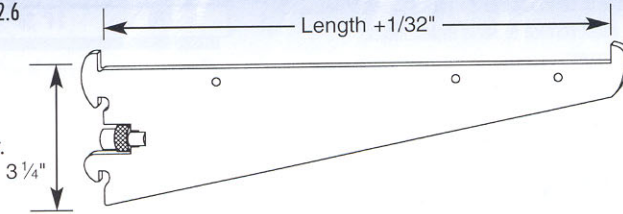
Use for heaviest loads. For use with glass or wood shelves. See page 2.6 for shelf rest clips.

Features:

1/8" thick tempered steel. Uphook for additional stability and safety. Locknut thumbscrew reduces sway.

Stock Finish:

Brillatone (Satin Zinc).



Part Number	Length	Packed/Ctn.	Wt./Ctn.
762-10	10"	12	11 Lbs.
762-12	12"	12	12 Lbs.
762-14	14"	12	15 Lbs.
762-16	16"	12	17 1/2 Lbs.
762-18	18"	12	18 1/4 Lbs.
762-20	20"	12	20 Lbs.
762-22	22"	12	22 Lbs.
762-24	24"	12	24 Lbs.

No. 766 Shelf/Hangrod Bracket

Application:

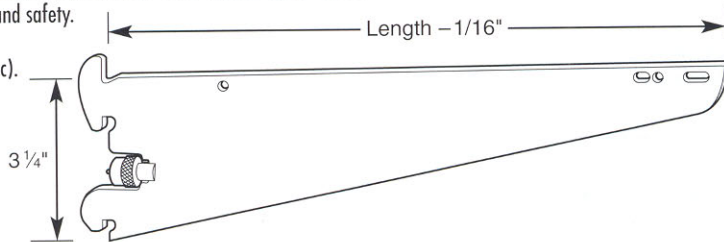
Use for heaviest loads. Use with surface mounted wall standards on perimeters, loose fixtures, shelving, and hangrod. See page 2.6 for shelf rest clips.

Features:

1/8" thick tempered steel. Locknut thumb screw reduces sway. Uphook for additional stability and safety.

Stock Finish:

Brillatone (Satin Zinc).



Part Number	Length	Packed/Ctn.	Wt./Ctn.
766-8	8"	12	8 Lbs.
766-10	10"	12	10 Lbs.
766-12	12"	12	12 Lbs.
766-14	14"	12	14 1/2 Lbs.
766-16	16"	12	17 1/4 Lbs.
766-18	18"	12	18 1/4 Lbs.
766-20	20"	12	20 Lbs.

No. 767 Shelf/Hangrod Bracket

Application:

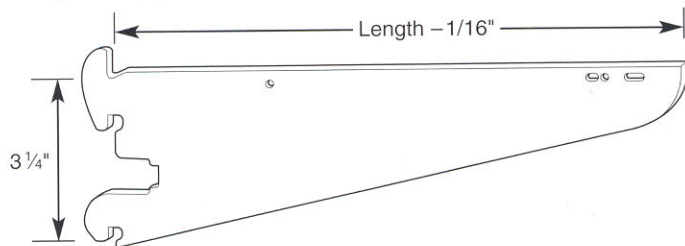
Use for heaviest loads. Use with concealed/recessed/"T" standard on perimeters, loose fixtures, shelving, and hangrod. See page 2.6 for shelf rest clips.

Features:

1/8" thick tempered steel. Uphook for additional stability and safety.

Stock Finish:

Brillatone (Satin Zinc) and Polished Chrome.



Part Number	Length	Packed/Ctn.	Wt./Ctn.
767-8	8"	12	8 Lbs.
767-10	10"	24	10 Lbs.
767-12	12"	24	12 Lbs.
767-14	14"	24	14 1/2 Lbs.
767-16	16"	12	17 1/4 Lbs.
767-18	18"	12	18 1/4 Lbs.
767-20	20"	12	20 Lbs.

No. 723 Wood Shelf Bracket

Application:

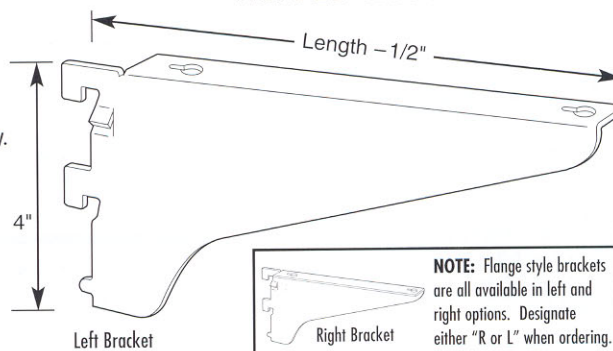
For use with wood shelves.

Features:

Keyhole slots for wood shelf mounting. Stabilizer reduces sway. Bracket is made of .085" thick medium duty material.

Stock Finish:

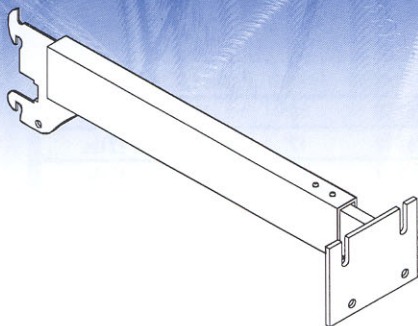
Brillatone (Satin Zinc).



Part Number	Length	Packed/Ctn.	Wt./Ctn.
723-R/L-10	10"	12	8 3/4 Lbs.
723-R/L-12	12"	12	10 1/4 Lbs.
723-R/L-14	14"	12	11 3/4 Lbs.
723-R/L-16	16"	12	13 1/4 Lbs.
723-R/L-18	18"	12	15 Lbs.
723-R/L-20	20"	12	16 1/2 Lbs.
723-R/L-22	22"	12	19 3/4 Lbs.

NOTE: Flange style brackets are all available in left and right options. Designate either "R" or "L" when ordering.

All items can be made-to-order in a wide variety of plated or powder coated finishes and/or custom lengths.



No. 770 Cornice Bracket

Application:

Use with concealed or surface mounted standards for most cornice or fascia installations.

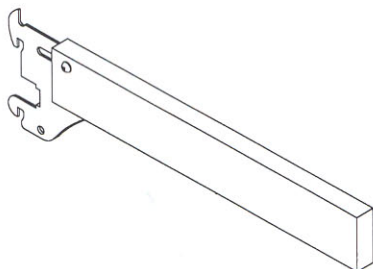
Features:

Bracket with uphook for additional stability and safety. 1" x 1 1/2" x 24" long tube. Adjustable insert allows additional 12" extension. 1/8" thick tempered steel stub bracket.

Stock Finish: Brillatone (Satin Zinc).

Part Number	Adj. Length	Packed/Ctn.	Wt./Ctn.
770	24"-36"	2	9 1/2 Lbs.

*Can be made to exact length required. Locknut thumb screw can be added to reduce sway.



No. A748 Adjustable Gusset Faceout

Application:

For merchandising on perimeters, loose fixtures, and back islands.

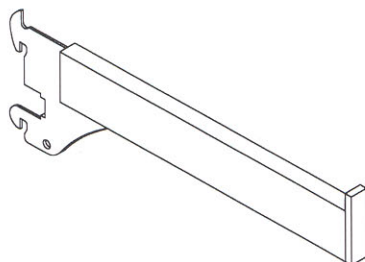
Features:

Welded, ground, and polished end cap. Tab or flush end cap available. Adjustable 1/8" thick gusset allows for flush installation.

Stock Finish: Made-to-order.

Part Number	Length
A748-X	Made-to-order

*Can be made to exact length required.



No. V748 Straight Faceout

Application:

For merchandising on perimeters and loose fixtures.

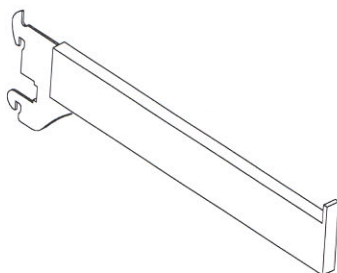
Features:

Plastic end cap. 1/2" x 1 1/2" tube. 1/8" thick tempered steel stub bracket.

Stock Finish: Value Line Chrome.

Part Number	Length	Packed/Ctn.	Wt./Ctn.
V748-12	12"	12	15 Lbs.

*Can be made to exact length required. Locknut thumb screw can be added to reduce sway.



No. 748 Straight Faceout

Application:

For merchandising on perimeters and loose fixtures.

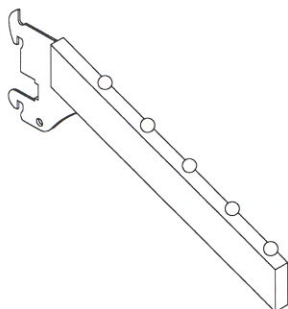
Features:

Welded, ground, and polished end cap. 1/2" x 1 1/4" tube. Flush end cap available. 1/8" thick tempered steel stub bracket.

Stock Finish: Polished Chrome.

Part Number	Length	Packed/Ctn.	Wt.
748-6	6"	12	6 Lbs.
748-12	12"	12	15 Lbs.

*Can be made to exact length required. Locknut thumb screw can be added to reduce sway.



No. 747 Waterfall Faceout

Application:

For merchandising on perimeters and loose fixtures.

Features:

30° downslant. Welded, ground, and polished end cap. 1/2" x 1 1/4" tube. 1/8" thick tempered steel stub bracket.

Stock Finish: Polished Chrome.

Part Number	Length	Packed/Ctn.	Wt./Ctn.
747-12-B	12" (5 Balls)	12	15 Lbs.
747-16-B	16" (6 Balls)	12	17 Lbs.

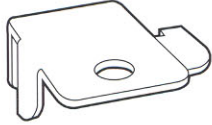
*Can be made to exact length required. Locknut thumb screw can be added to reduce sway. Can be made with cube stops also.

All items can be made-to-order in a wide variety of plated or powder coated finishes and/or custom lengths.

Shelf Rest Clips

No. 743-L Shelf Rest (Left)

Part Number	Packed/Ctn.	Wt./Ctn.
743-L	144	4 Lbs.



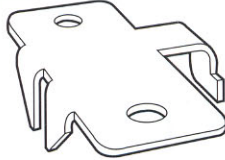
Application:
Use with shelf brackets with mounting holes. Designed for flush fit with bracket and shelf.

Features:
Swivel-lock. Gray rubber suction cushions are included to secure glass shelves.

Stock Finish:
Brillatone (Zinc).

No. 743-C Shelf Rest (Center)

Part Number	Packed/Ctn.	Wt./Ctn.
743-C	144	6 Lbs.



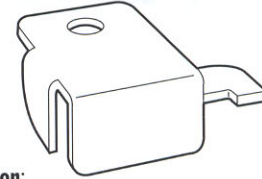
Application:
Use with shelf brackets with mounting holes. Designed for center brackets and at ends with shelf overhang.

Features:
Swivel-lock. Gray rubber suction cushions are included to secure glass shelves.

Stock Finish:
Brillatone (Zinc).

No. 743-R Shelf Rest (Right)

Part Number	Packed/Ctn.	Wt./Ctn.
743-R	144	4 Lbs.



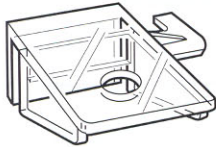
Application:
Use with shelf brackets with mounting holes. Designed for flush fit with bracket and shelf.

Features:
Swivel-lock. Gray rubber suction cushions are included to secure glass shelves.

Stock Finish:
Brillatone (Zinc).

No. 743-P-L Shelf Rest (Left)

Part Number	Packed/Ctn.	Wt./Ctn.
743-P-L	144	2 Lbs.

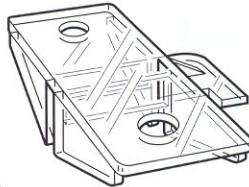


Application:
Made of clear lexan plastic for use with special finish brackets to maintain a clean profile.

Features:
Swivel-lock. Clear suction cushions are included to secure glass shelves.

No. 743-P-C Shelf Rest (Center)

Part Number	Packed/Ctn.	Wt./Ctn.
743-P-C	144	3 Lbs.

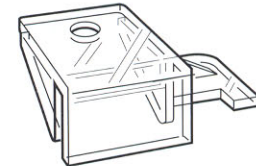


Application:
Made of clear lexan plastic for use with special finish brackets to maintain a clean profile. Designed for center brackets and at ends with shelf overhang.

Features:
Swivel lock. Clear suction cushions are included to secure glass shelves.

No. 743-P-R Shelf Rest (Right)

Part Number	Packed/Ctn.	Wt./Ctn.
743-P-R	144	2 Lbs.

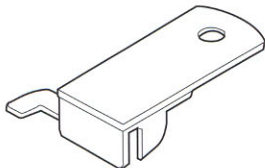


Application:
Made of clear lexan plastic for use with special finish brackets to maintain a clean profile.

Features:
Swivel lock. Clear suction cushions are included to secure glass shelves.

No. W-743-L Shelf Rest (Left)

Part Number	Packed/Ctn.	Wt./Ctn.
W-743-L	144	5 Lbs.



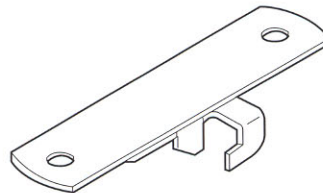
Application:
Double width for added safety. Designed for flush fit with bracket and shelf.

Features:
Swivel-lock. Gray rubber suction cushions are included to secure glass shelves.

Stock Finish:
Brillatone (Zinc).

No. W-743-C Shelf Rest (Center)

Part Number	Packed/Ctn.	Wt./Ctn.
W-743-C	144	6 Lbs.



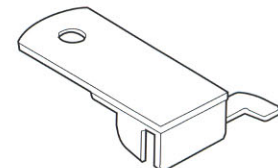
Application:
Double width for added safety. Designed for center brackets and at ends with shelf overhang.

Features:
Swivel-lock. Gray rubber suction cushions are included to secure glass shelves.

Stock Finish:
Brillatone (Zinc).

No. W-743-R Shelf Rest (Right)

Part Number	Packed/Ctn.	Wt./Ctn.
W-743-R	144	5 Lbs.



Application:
Double width for added safety. Designed for flush fit with bracket and shelf.

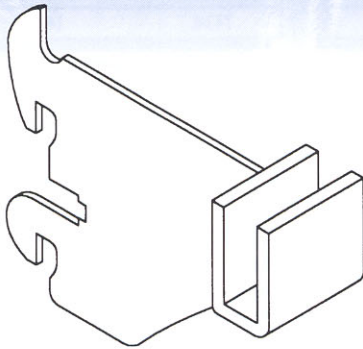
Features:
Swivel-lock. Gray rubber suction cushions are included to secure glass shelves.

Stock Finish:
Brillatone (Zinc).

Some items can be made-to-order in a wide variety of plated or powder coated finishes.

Hangrod Brackets

No. V725-2 Hangrod Bracket



Application:

Fits 700 Line.

Designed for use with No. 225 Hangrod and faceouts.

Features:

3/16" thick saddle. Uphook for added strength and stability.

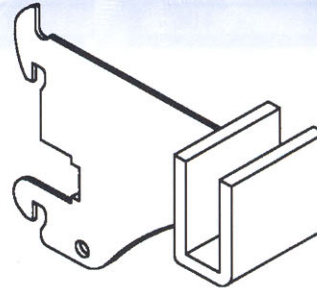
Stock Finish:

Value Line Chrome.

Part Number	Length	Packed/Ctn.	Wt./Ctn.
V725-2	2"	12	7 Lbs.

*Can add locknut thumb screw to reduce sway.

No. 725-4 Hangrod Bracket



*Can add locknut thumb screw to reduce sway. Can be made to exact length required.

Application:

Designed for use with No. 225 Hangrod and 700 Series Standards.

Features:

Uphook for added strength and stability. 3/16" thick saddle.

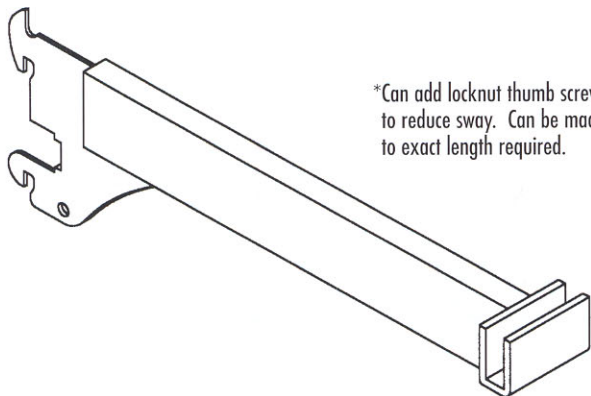
Left hand and right hand available.

Stock Finish:

Polished Chrome.

Part Number	Length	Packed/Ctn.	Wt./Ctn.
725-L/C/R-4	4"	12	7 1/4 Lbs.

No. V765-12 Hangrod Bracket



*Can add locknut thumb screw to reduce sway. Can be made to exact length required.

Application:

For use with No. 225 Hangrod and 700 Series Standards.

Features:

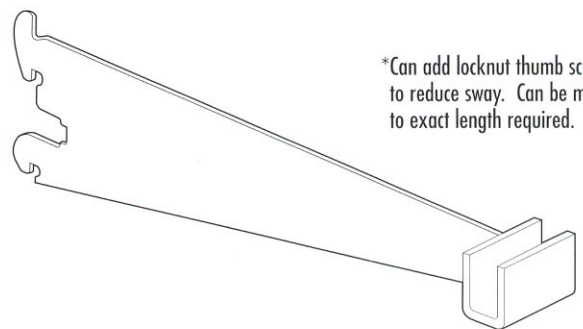
3/16" thick saddle. 1/2" x 1 1/2" tube.

Stock Finish:

Value Line Chrome.

Part Number	Length	Packed/Ctn.	Wt./Ctn.
V765-12	12"	12	13 Lbs.

No. 725-12 Hangrod Bracket



*Can add locknut thumb screw to reduce sway. Can be made to exact length required.

Application:

Designed for use with No. 225 Hangrod and 700 Series Standards.

Features:

Uphook for added strength and stability. 3/16" thick saddle.

Left hand and right hand available.

Stock Finish:

Polished Chrome.

Part Number	Length	Packed/Ctn.	Wt./Ctn.
725-L/C/R-12	12"	12	13 Lbs.

All items can be made-to-order in a wide variety of plated or powder coated finishes and/or custom lengths.